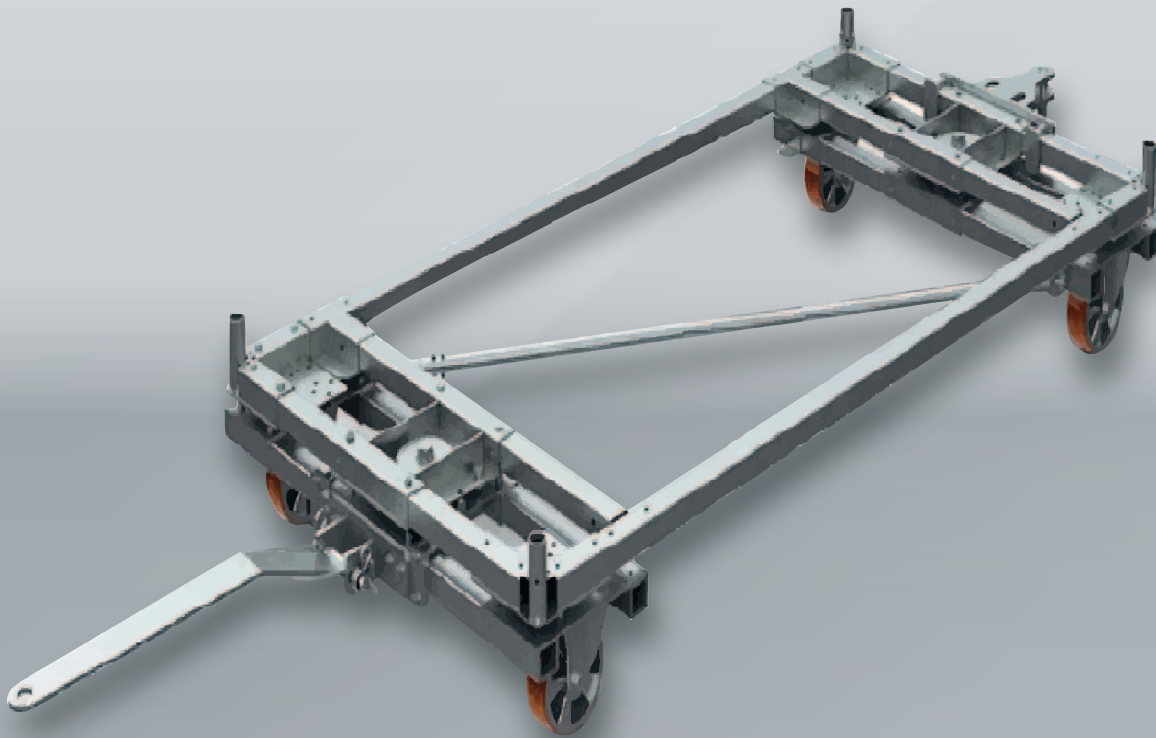


# SQUARE PIPE BASE



# SQUARE PIPE BASE

MC - AP

Adapter plate mounting  
set, incl. fastening material

galvanised

MC - BDL

Turntable mount

galvanised

MC - BDM

Connection piece T-form

galvanised

MC - BEH

Corner piece  
to take pallet

galvanised

MC - BKS

Coupling bar turntable  
mount incl. fastening  
material. When placing  
an order, quote the  
required length.

galvanised

MC - BP

Corner piece

galvanized

MC - BPA

Adaptor for pipe system

galvanized

Mount with:  
• 1x BS-MR

MC - BDFM

Bracket for forklift  
Insertion aperture  
W 180 x H 80 mm

galvanized

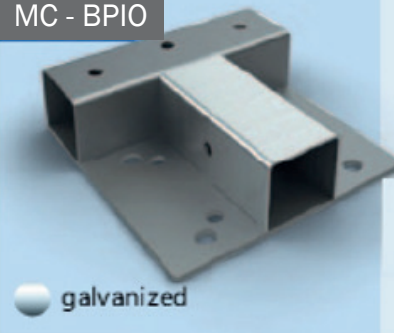
MC - BPI

Middle section

galvanized



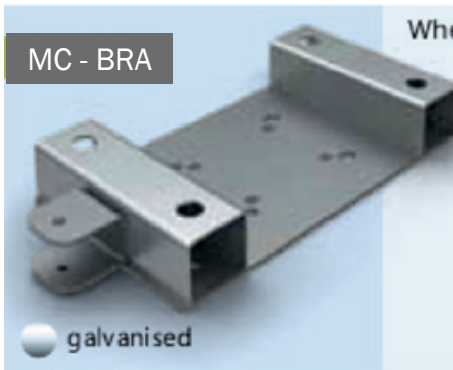
MC - BPIO



Middle section  
without pipe bracket

galvanized

MC - BRA



Wheel mount, steering

galvanized

MC - B4545



Square pipe  
dimensions: 45 x 45 mm  
material thickness: 3 mm  
length: 6,000 mm

galvanized

MC - DP4L



Spacing plate for  
castor AP-...

140 x 98 mm,  
thickness 4 mm

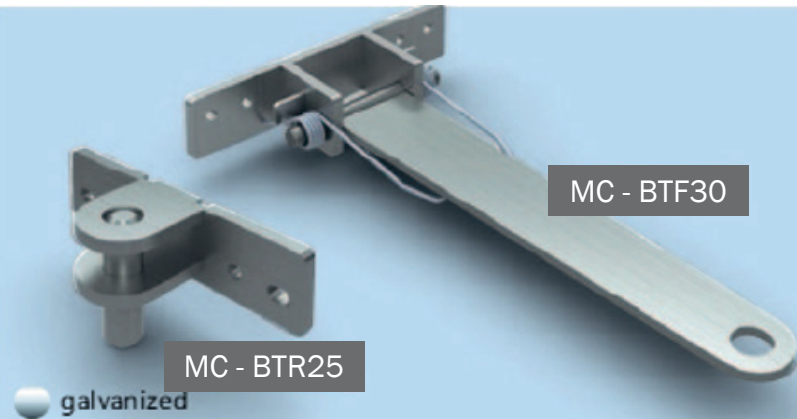
galvanized



# SQUARE PIPE BASE

MC-BTR25

Coupling  
Shank  $\varnothing$  25 mm



MC-BTF30

Spring towbar  
Drill hole  $\varnothing$  30 mm

MC - BTF30

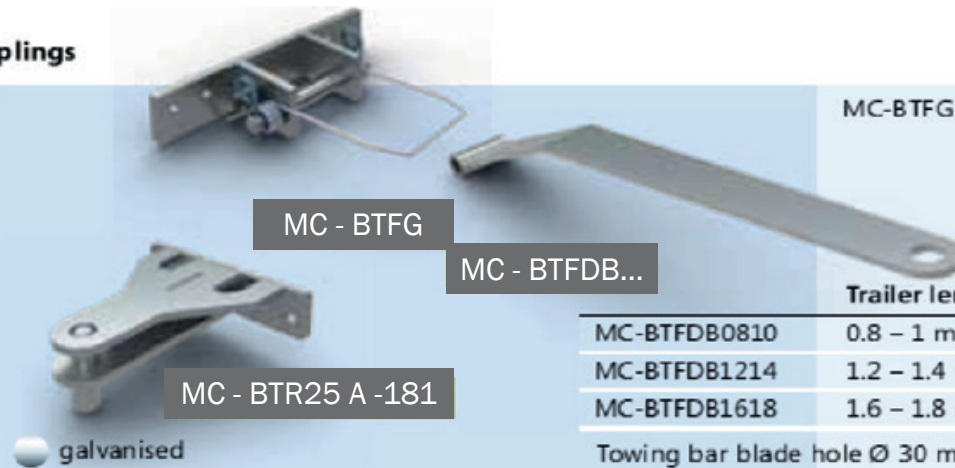
MC - BTR25

galvanized

## Towing bars and couplings

MC-BTR25 A-181

Coupling  
bolt  $\varnothing$  25 mm



MC-BTFG

MC - BTFG

MC - BTFDB...

MC - BTR25 A -181

galvanized

Trailer length

MC-BTFDB0810	0.8 - 1 m
MC-BTFDB1214	1.2 - 1.4 m
MC-BTFDB1618	1.6 - 1.8 m

Towing bar blade hole  $\varnothing$  30 mm

