

# ROLLER TRACKS



## SERIES

- GP - 25
- GP - 35
- GP - 40
- GP - 60
- GP - 70
- GP - 85

## ROLLER TRACK NUMBERING SYSTEM

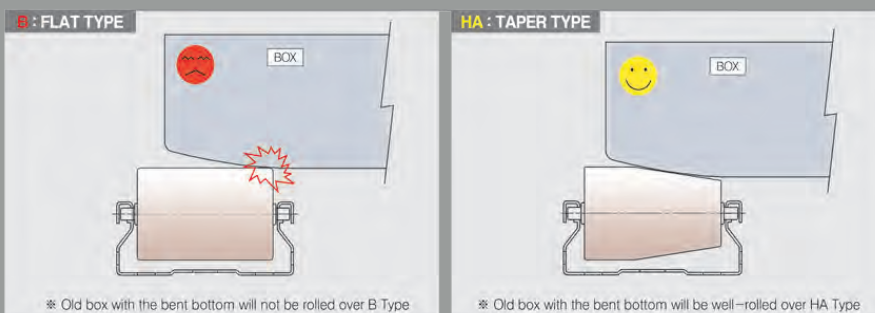
WH = white  
GR = Gray  
BK = Black  
YL = Yellow

Color  
Code

A : Round  
B : Flat  
BF : Flexible  
C : Flange  
D : Large  
HA : Taper  
M : Multi  
S : Slim  
SR : STS Covered roller

Roller Type

## CHOOSE FOR THE ROLLER TYPE



GP 40 36 A

Pitch

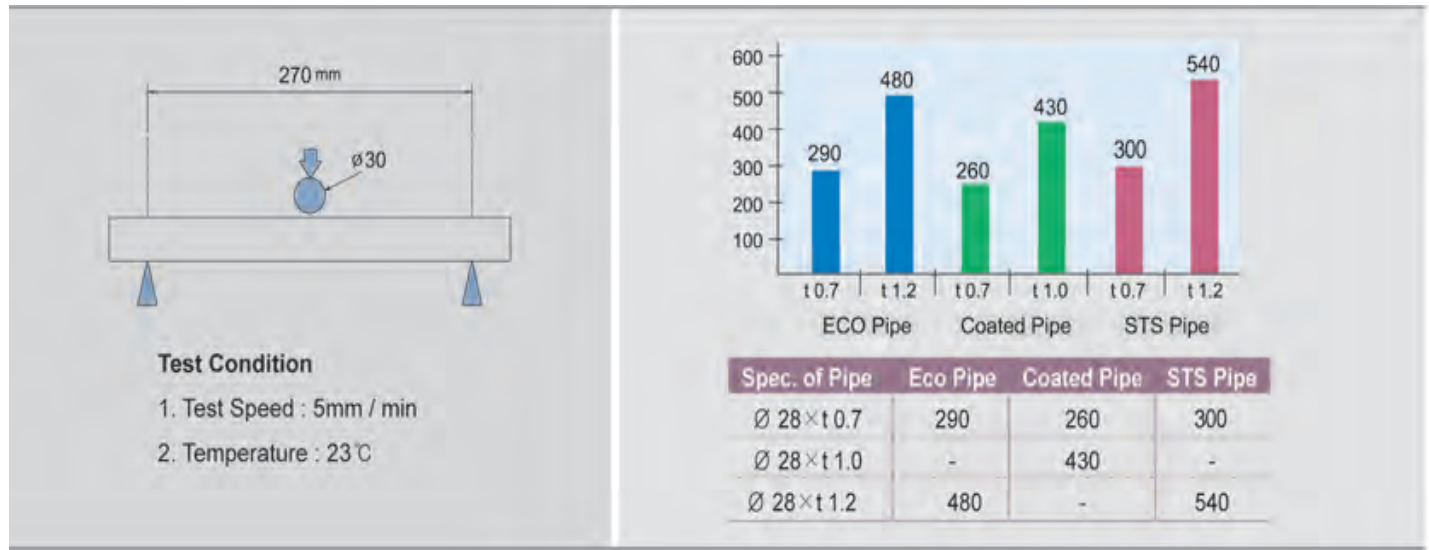
Serie / Frame Size

\* Old box with the bent bottom will not be rolled over B Type

\* Old box with the bent bottom will be well-rolled over HA Type

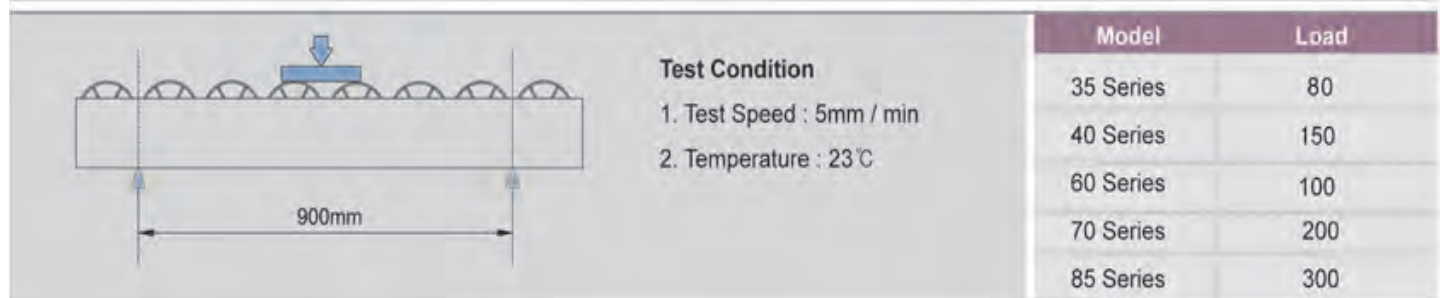
Unit : mm

### BENDING STRENGTH FOR PIPE



### BENDING STRENGTH FOR ROLLER TRACK

Unit :kgf

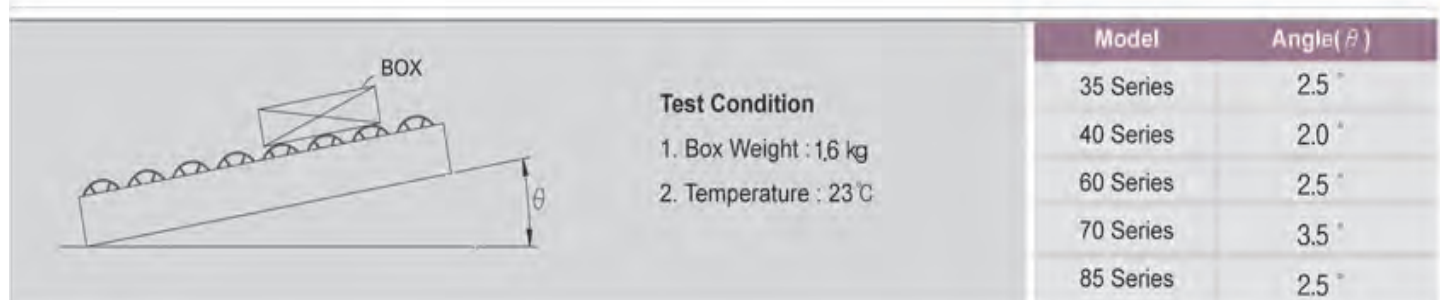


### BENDING STRENGTH OF WHEEL SUBASSEMBL

Unit :kgf



### BENDING STRENGTH FOR CONSISTENT



Series	Part No.	Body Material (mm)	Load Capacity (Kg-f)	Roller Diameter (mm)	Shaft Diameter (mm)	Roller Pitch (mm)	Slope >(°)	Roller Color				ESD		Standard Length
								WH	GR	BK	YL	BK	GR	
<b>Silent Roller Track</b>														
25 Series	GPR2528A	AL	60	Ø25	Ø3	28.57	1.5°	○		○				4MT
40 Series	GPR4040A	AL (Aluminium)	150	Ø34	Ø4	40	2.0°	○		○		○		4MT
	GPR4040B							○		○		○		
	GPR4055C		150	Ø49		55	○		○		○			
60 Series	GPR6016S	AL	100	Ø15	Ø4	16.67	2.5°	○		○		○		4MT
	GPR6033B		150	Ø30	Ø4	33.33		○		○		○		
	GPR6033HA		150	Ø30	Ø4	33.33		○						
70 Series	GPR7042B	AL	200	Ø34	Ø5	42	3.5°	○				○		4MT
	GPR7042BF			Ø17.6								○		
	GPR7021BFS-2				21	-						○		
85 Series	GPR8523S	AL	200	Ø20.5	Ø3.5	22.5	1.5°	○		○		○		4MT
	GPR8545B			Ø40							○			
	GPR8545HA		300	Ø43	45				○			○		2MT
	GPR8545SR									○				

### Standard Roller Track

85 Series	GP3533B	SPCC	100	Ø28	Ø3	33.33	2.5°	○	○	○	○	○		
40 Series	GP4036A	SPCC (Galvanized Steel Chrome Free)	150	Ø34	Ø4	36	2.0°	○		○		○		4MT
	GP4036B							○		○		○		
	GP4040A							○		○		○		
	GP4040B			○				○		○				
	GP4050C			Ø49		50		○		○		○		
	GP4050D			Ø43				○		○		○		
	GP4025M			Ø34		Ø3.3		25	○		○		○	
60 Series	GP6016S	SPCC	100	Ø15	Ø4	16.67	2.5°	○		○		○		4MT
	GP6033B		150	Ø30		33.33		○		○		○		
	GP6033HA			○										
70 Series	GP7050BF	SPCC	200	Ø34	Ø5	50	3.5°				○	○		4MT
85 Series	GP8525M	SPCC	300	Ø34	Ø5	25	2.5°	○		○		○		4MT
	GP8543B			Ø40		43		○			○			
	GP8550SR			Ø43	Ø3.5	50	1.5°	○						2MT

### Curve Roller

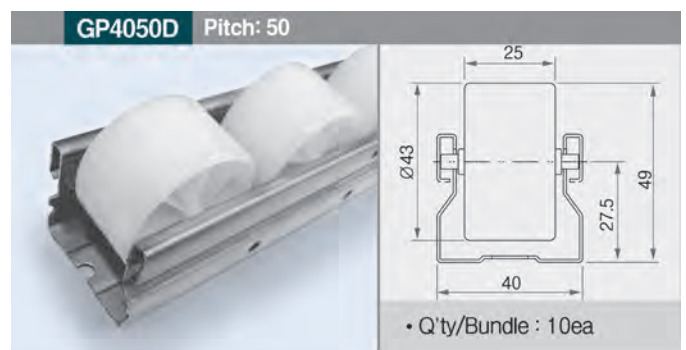
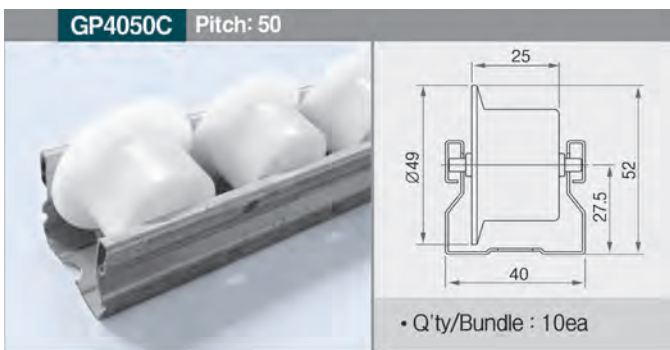
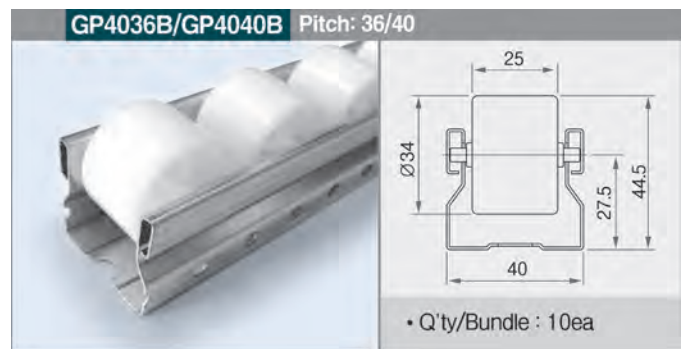
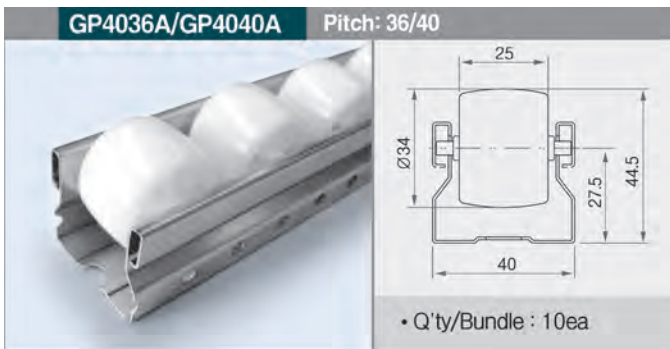
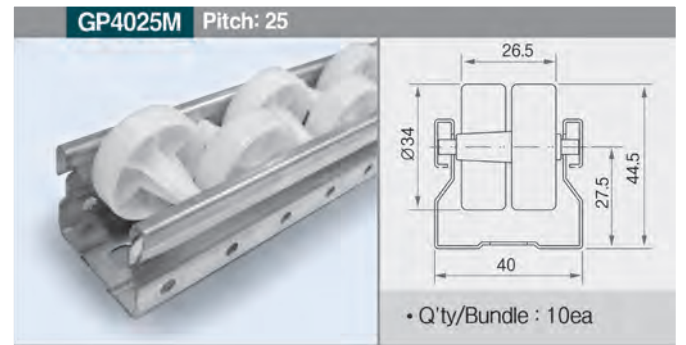
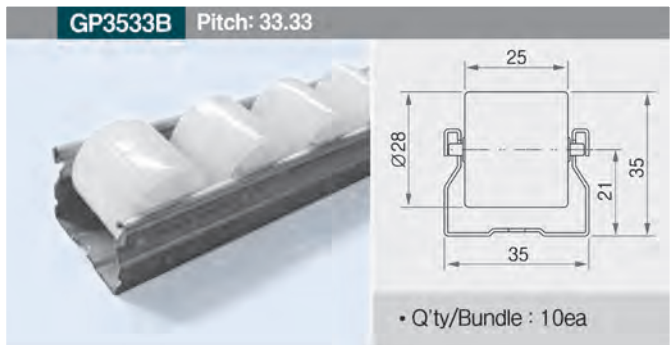
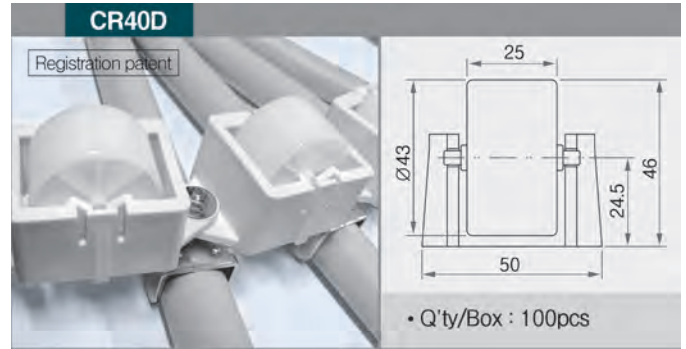
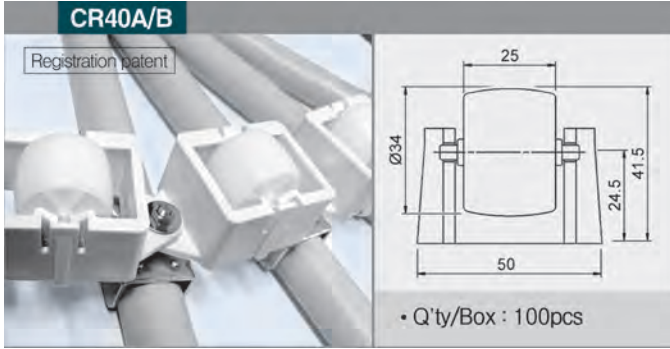
40 Series	CR40A	SPCC (Galvanized Steel Chrome Free)	100	Ø34	Ø4	76	2.0°	○		○		○		-
	CR40B			○					○		○			
	CR40D			Ø43				○		○		○		

### Universal Roller Track

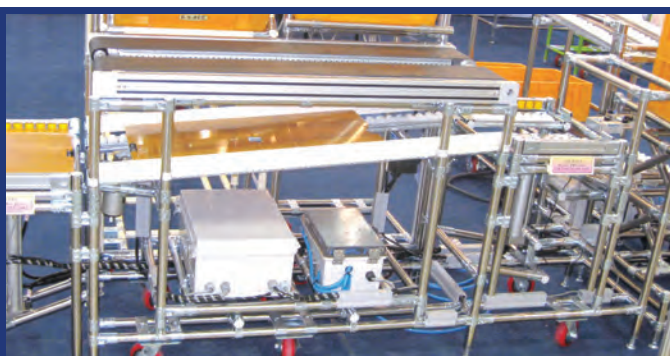
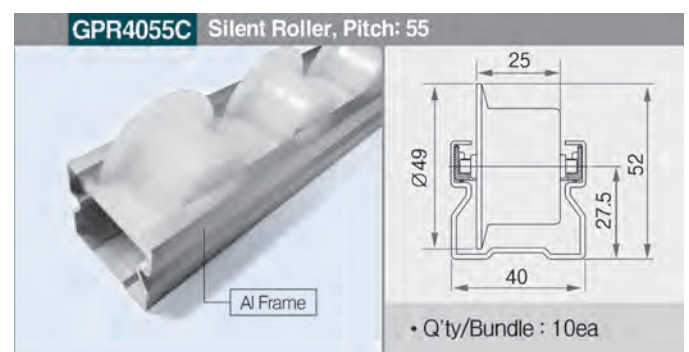
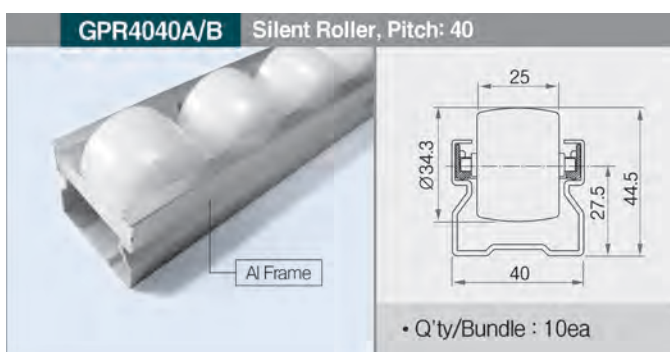
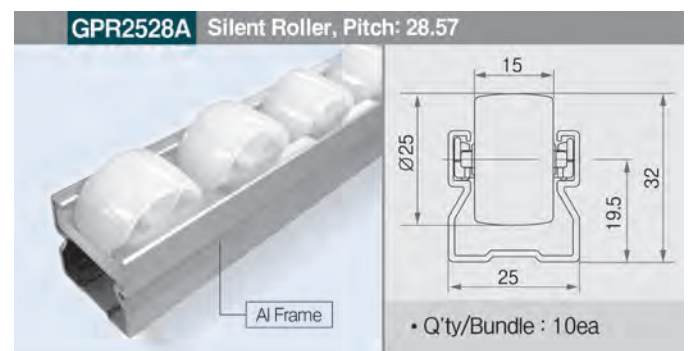
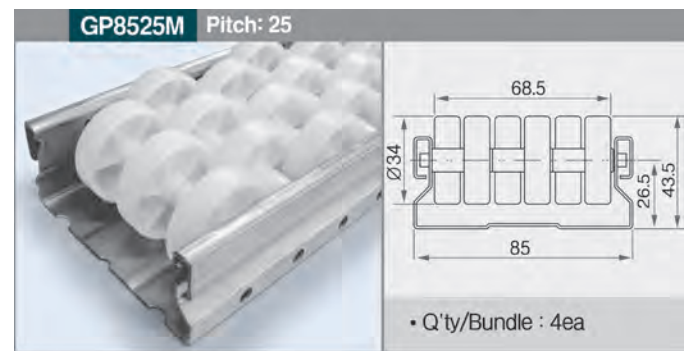
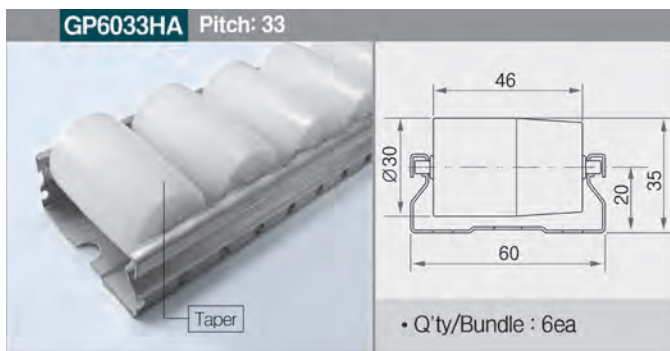
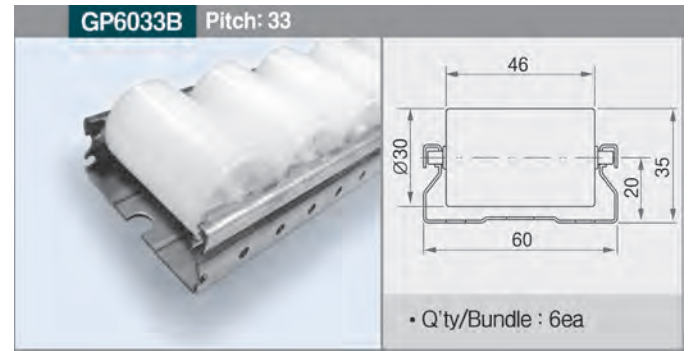
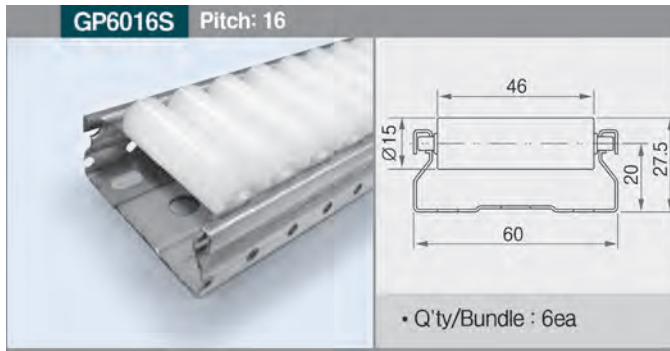
40 Series	UR4050	AL	100	Ø43	Ø4	50	2.5°		○			○		3MT
60 Series	UR6067		200	Ø60	Ø5	66.7	3.0°		○			○		2MT

# ROLLER TRACKS

Unit : mm

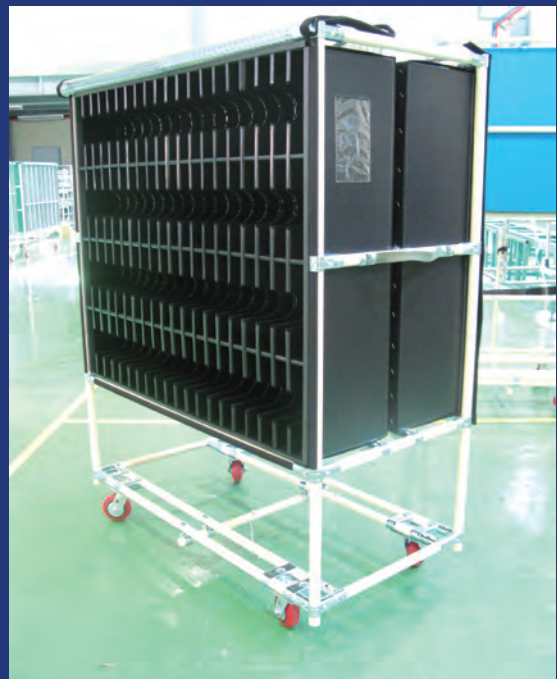
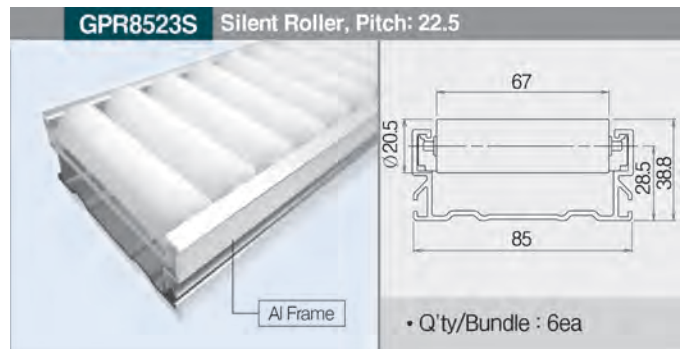
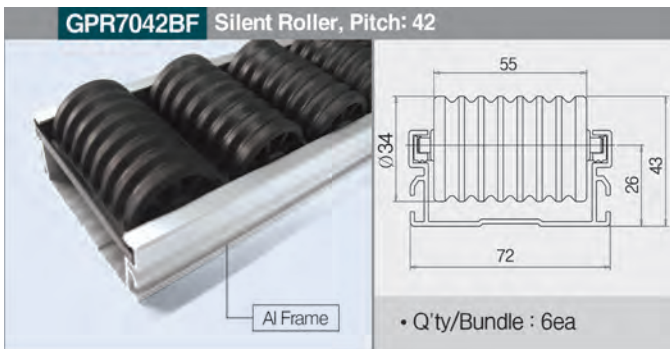
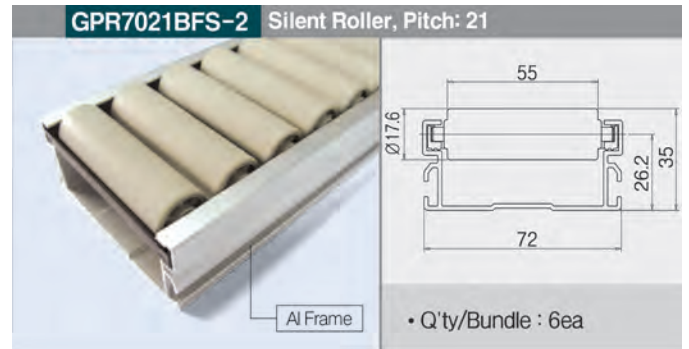
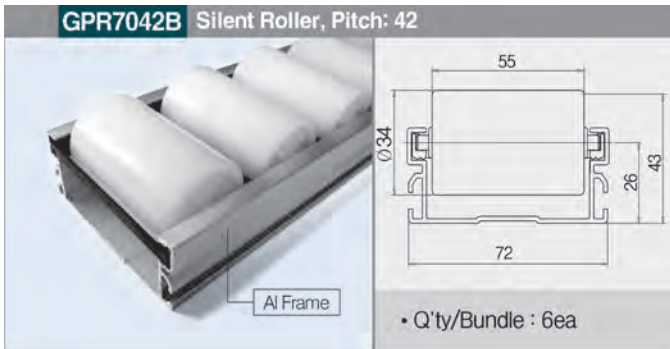
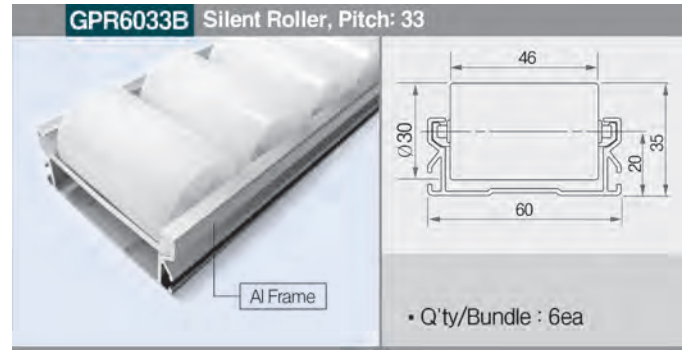
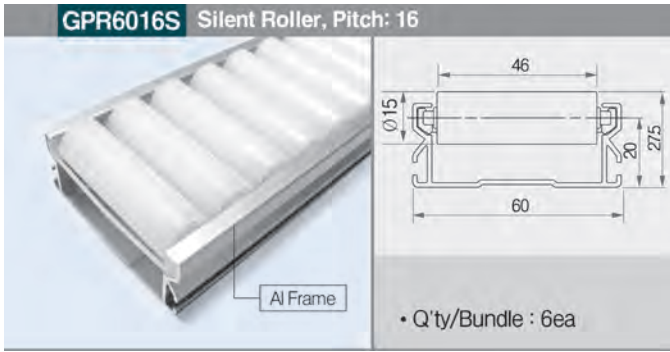


Unit : mm



# ROLLER TRACKS

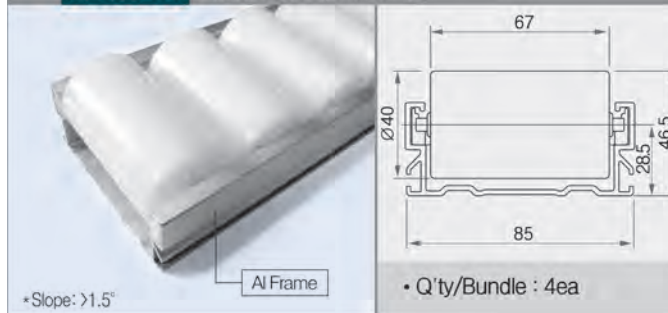
Unit : mm



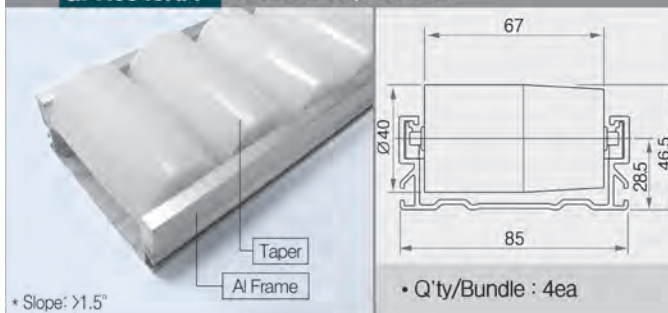
Unit : mm



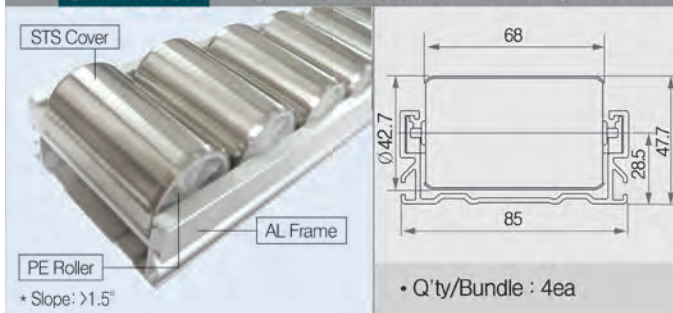
**GPR8545B** Silent Roller, Pitch: 45



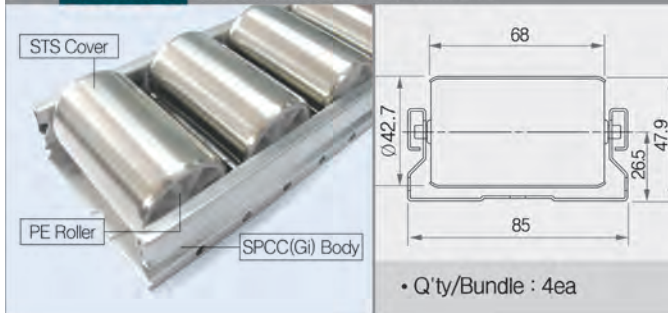
**GPR8545HA** Silent Roller, Pitch: 45



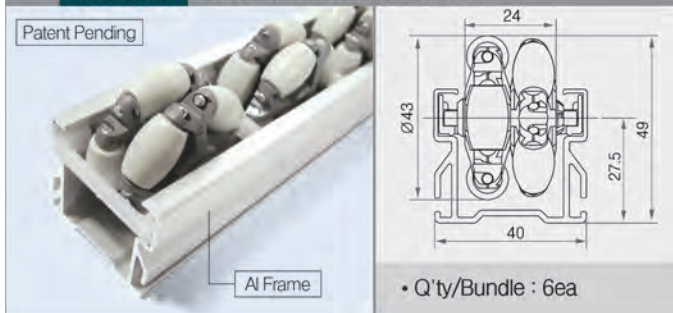
**GPR8545SR** Recycle STS Covered Roller Track, Pitch: 45



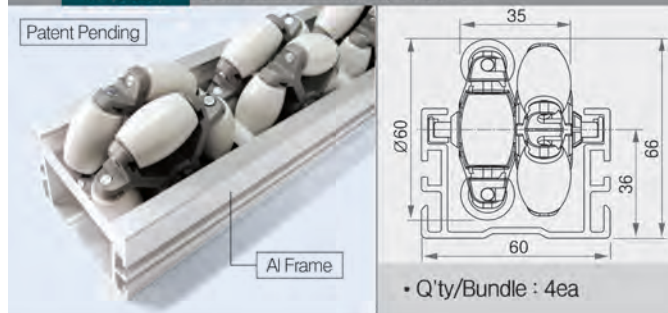
**GP8550SR** STS Covered Roller, Pitch: 50



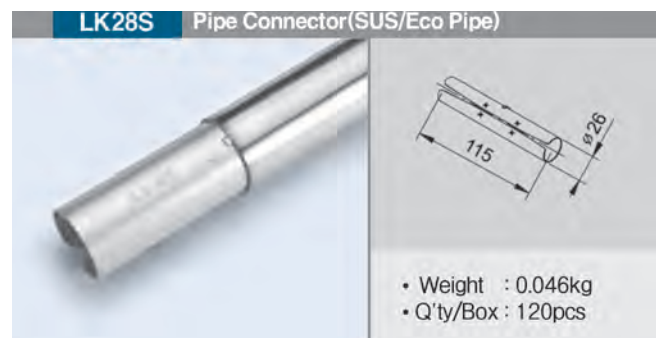
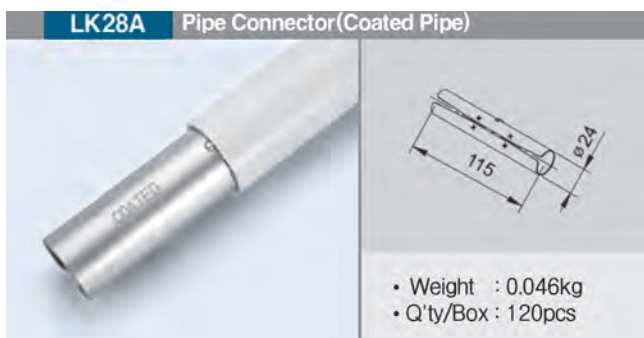
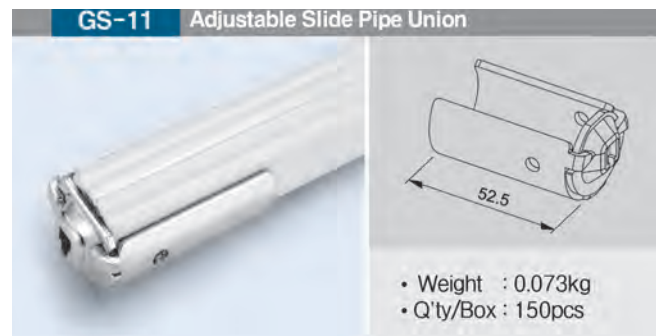
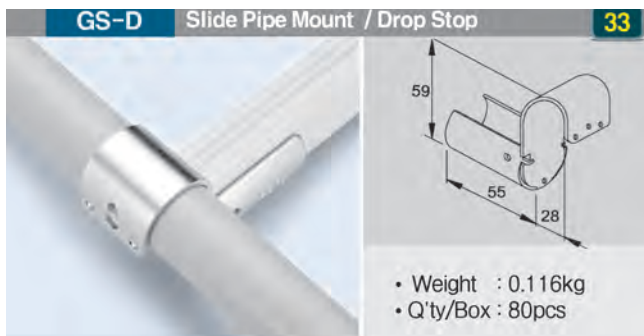
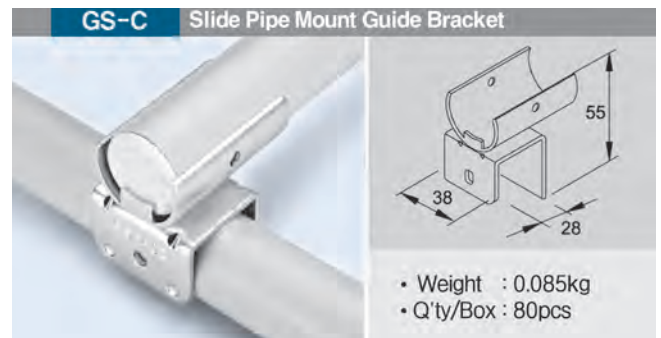
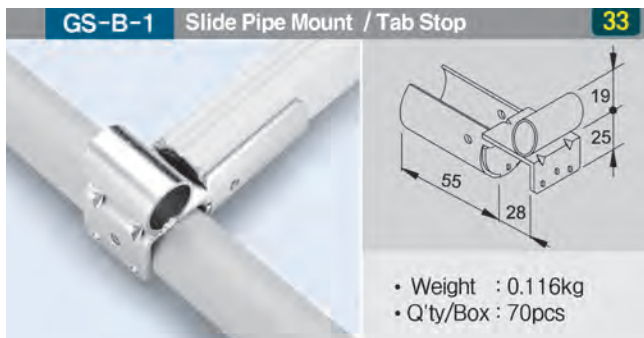
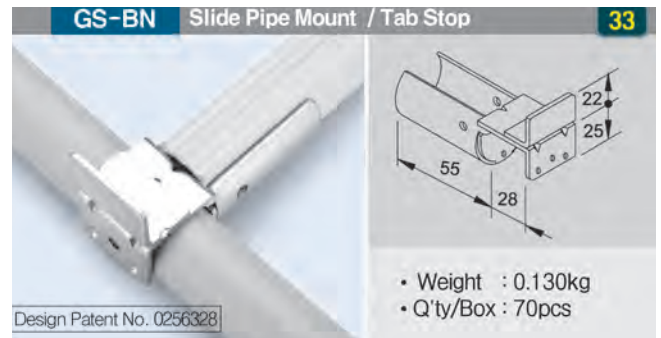
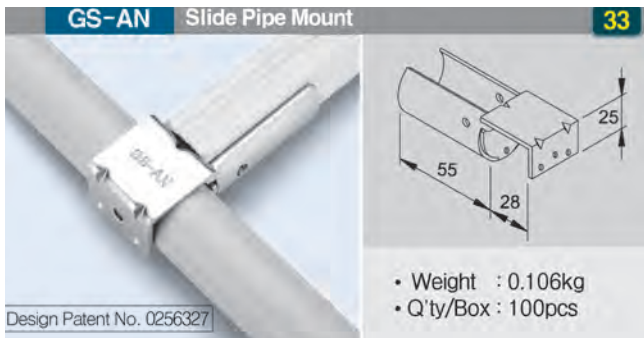
**UR4050** UNIVERSAL Roller, Pitch: 50



**UR6067** UNIVERSAL Roller, Pitch: 67

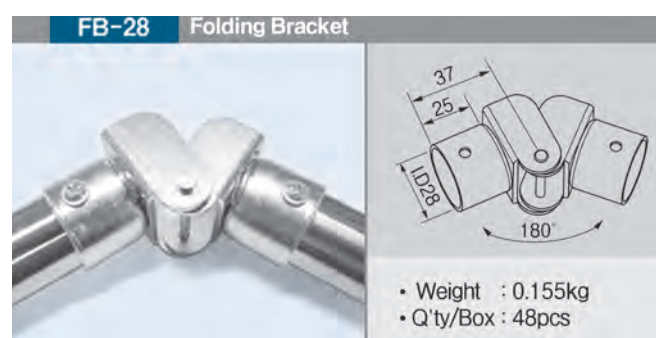


Unit : mm



Surface Treatment - WZ

**33** is able to be fixed to the joint.  
The Part No. of 33 is GP-A33, GP-B33


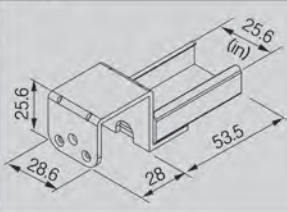




Unit : mm


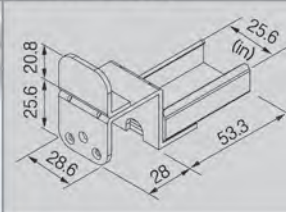
Unit : mm

**GP-A25** Roller Mounting Bracket


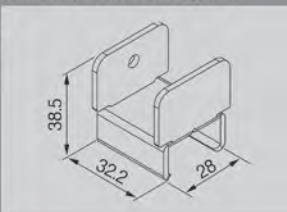
- Weight : 0.082kg
- Q'ty/Box : 90pcs

**GP-B25** Roller Mounting Bracket / Tab Stop

- Weight : 0.096kg
- Q'ty/Box : 60pcs

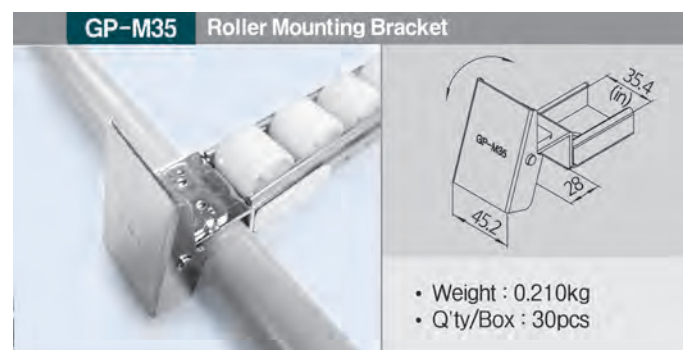
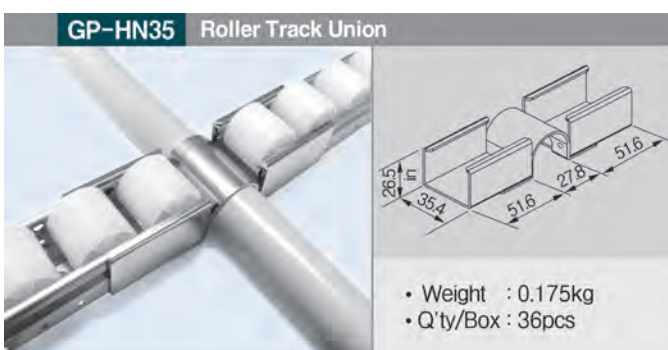
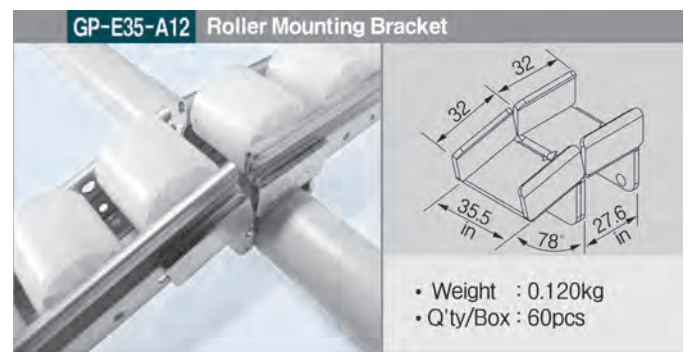
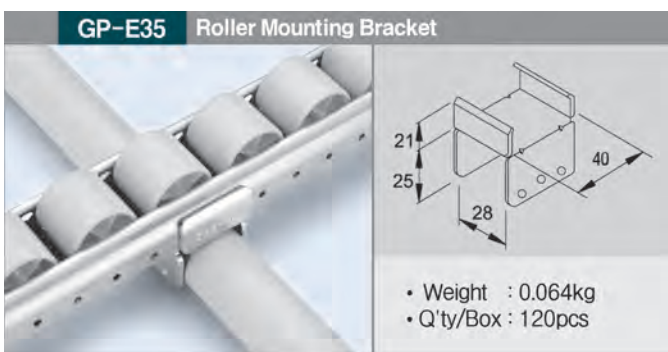
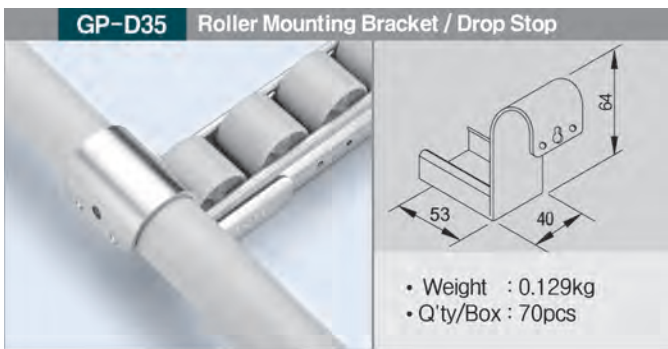
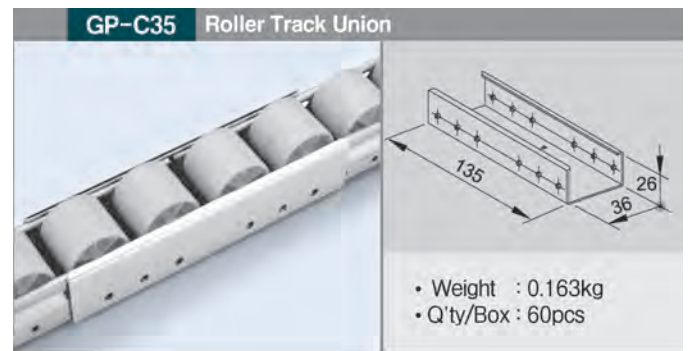
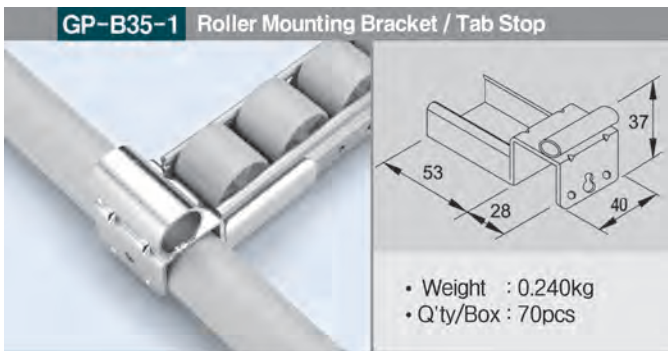
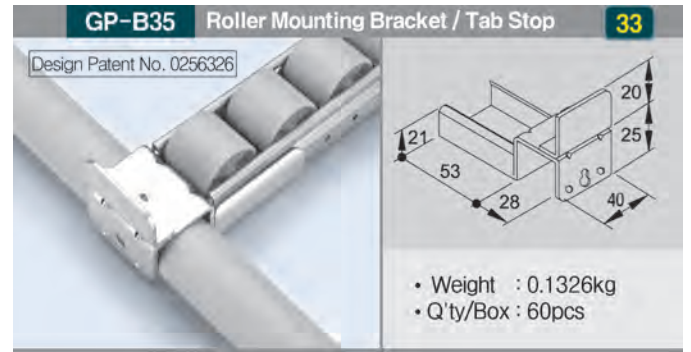
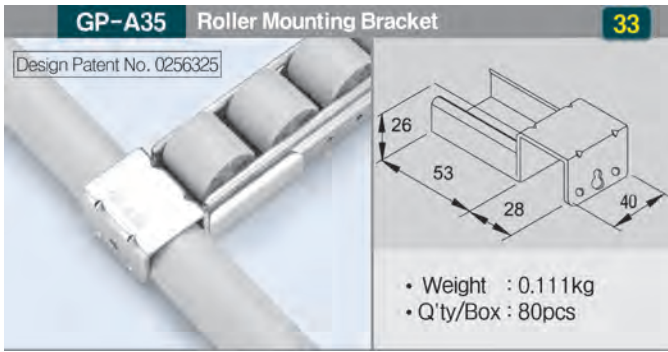
**GP-E25** Roller Mounting Bracket / Center Support

- Weight : 0.057kg
- Q'ty/Box : 120pcs



Unit : mm



**GP-11 Adjustable Roller Union**

- Weight : 0.131kg
- Q'ty/Box : 60pcs

**GP-12 Adjustable Roller Union**

- Weight : 0.096kg
- Q'ty/Box : 180pcs

**GP-13 Adjustable Roller Union**

- Weight : 0.173kg
- Q'ty/Box : 40pcs

**GP-14 Adjustable Roller Union**

- Weight : 0.096kg
- Q'ty/Box : 180pcs



**GP-A Roller Mounting Bracket** **33**

Design Patent No. 0256325

- Weight : 0.143kg
- Q'ty/Box : 80pcs
- 33** • Q'ty/Box : 60pcs

**GP-APF-B Roller Mounting Bracket**

- Weight : 0.160kg
- Q'ty/Box : 60pcs

**GP-APF Roller Mounting Bracket**

- Weight : 0.124kg
- Q'ty/Box : 80pcs

**GP-B Roller Mounting Bracket / Tab Stop** **33**

Design Patent No. 0256326

- Weight : 0.173kg
- Q'ty/Box : 60pcs
- 33** • Q'ty/Box : 40pcs

Surface Treatment - WZ

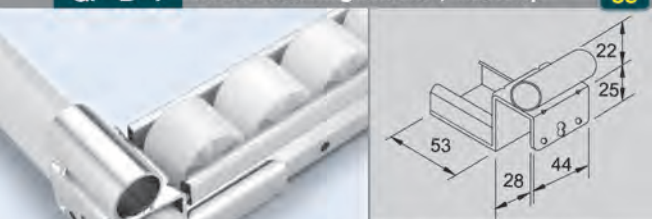
**33** is able to be fixed to the joint.  
The Part No. of 33 is GP-A33, GP- B33

# MOUNTING BRACKET

SERIE 40


Unit : mm

**GP-B-1** Roller Mounting Bracket / Tab Stop **33**




- Weight : 0.174kg
- Q'ty/Box : 50pcs
- 33** • Q'ty/Box : 40pcs

**GP-C** Roller Track Union **33**




- Weight : 0.121kg
- Q'ty/Box : 80pcs

**GP-C-1** Roller Track Union / Center Support **33**




- Weight : 0.170kg
- Q'ty/Box : 40pcs
- 33** • Q'ty/Box : 32pcs

**GP-CN** Roller Track Union **33**



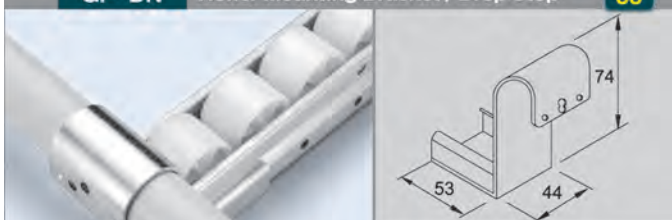
- Weight : 0.232kg
- Q'ty/Box : 36pcs

**GP-DF** Roller Mounting Bracket **33**




- Weight : 0.194kg
- Q'ty/Box : 50pcs

**GP-DN** Roller Mounting Bracket / Drop Stop **33**

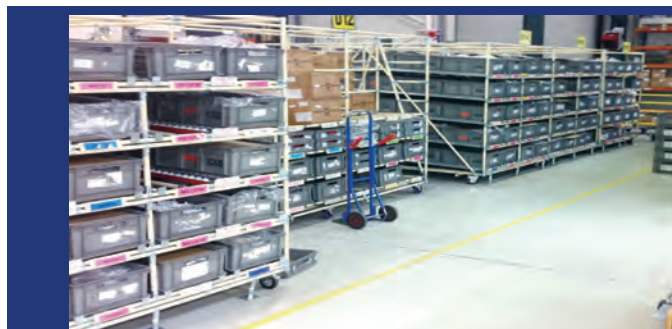


- Weight : 0.165kg
- Q'ty/Box : 70pcs


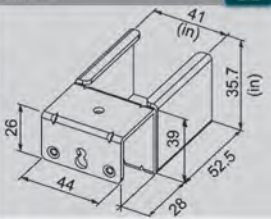
**GP-EN** Roller Mounting Bracket / Center Support **33**



- Weight : 0.217kg
- Q'ty/Box : 20pcs


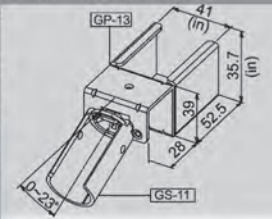


**GP-F** Roller Mounting Bracket **33**


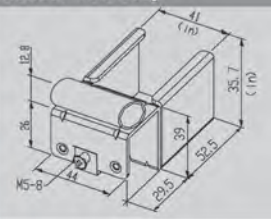
- Weight : 0.175kg
- Q'ty/Box : 50pcs

**GP-FA** Adjustable Roller to Slide Pipe Union


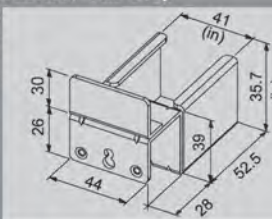
- GS-11 & GP-13

**GP-FC** Roller Mounting Bracket / Tab Stop


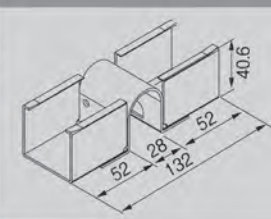
- Weight : 0.200kg
- Q'ty/Box : 42pcs

**GP-G** Roller Mounting Bracket / Tab Stop


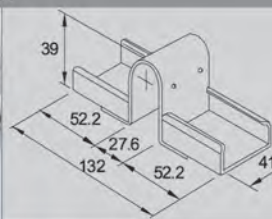
- Weight : 0.250kg
- Q'ty/Box : 40pcs

**GP-HF** Roller Track Union


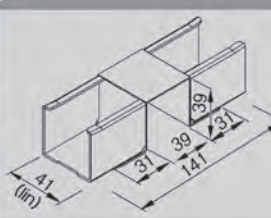
- Weight : 0.232kg
- Q'ty/Box : 24pcs

**GP-HN** Roller Track Union


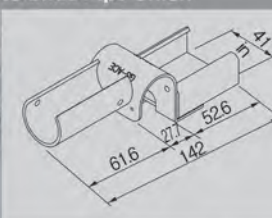
- Weight : 0.279kg
- Q'ty/Box : 30pcs

**GP-HP** Roller Track Union

- Weight : 0.215kg
- Q'ty/Box : 24pcs

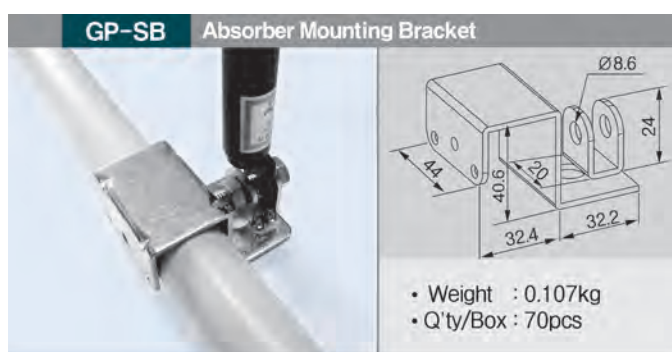
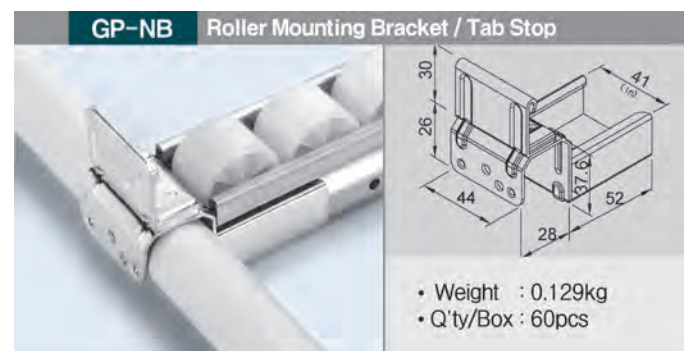
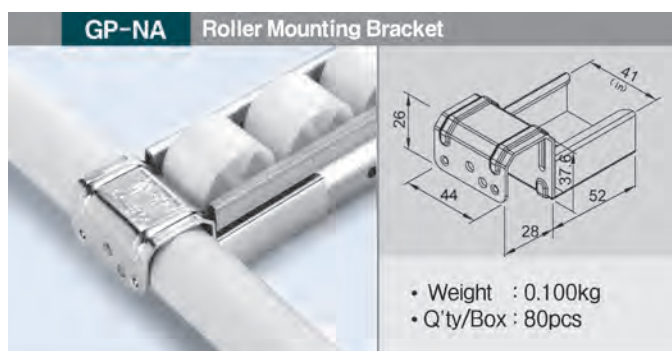
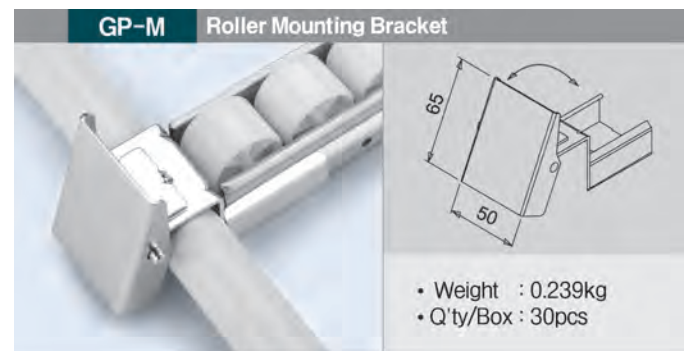
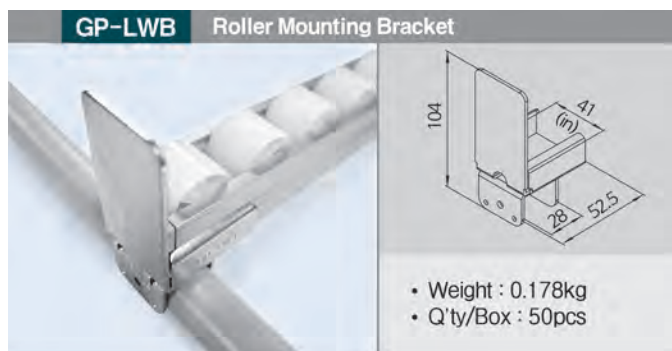
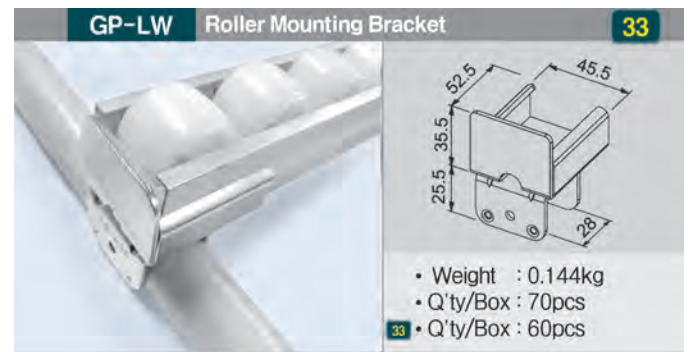
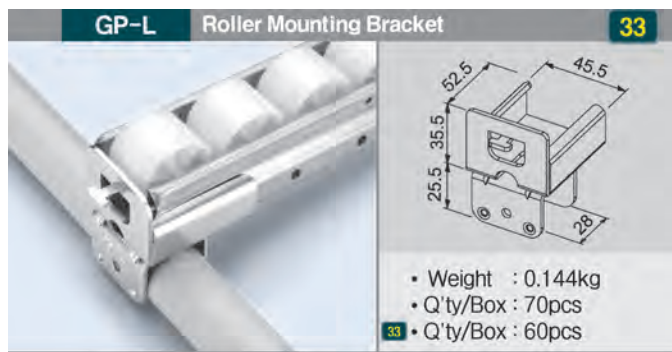
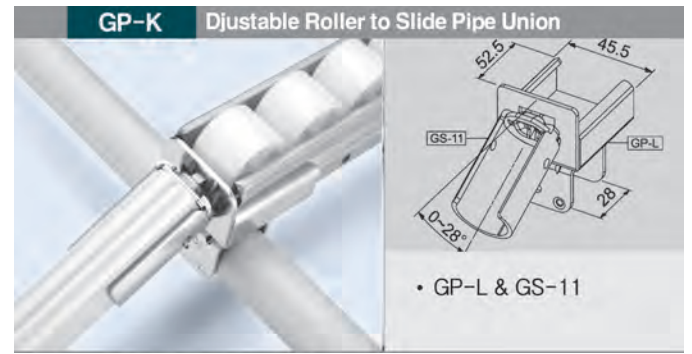
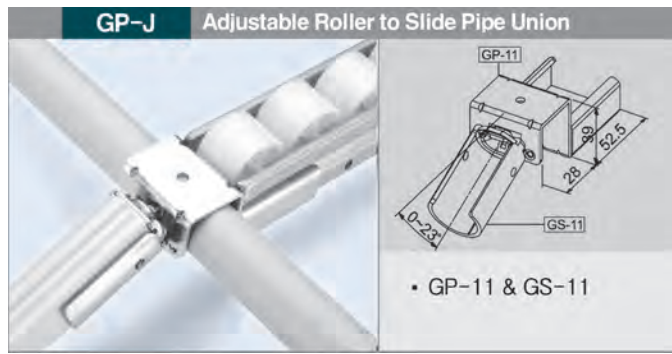
**GP-HS** Adjustable Roller to Slide Pipe Union

- Weight : 0.200kg
- Q'ty/Box : 20pcs




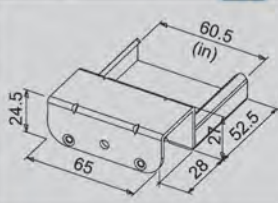
Unit : mm



Surface Treatment - WZ


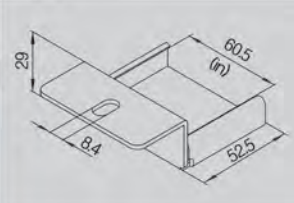
**33** is able to be fixed to the joint.  
The Part No. of 33 is GP-A33, GP-B33

**GP-A60** Roller Mounting Bracket **33**

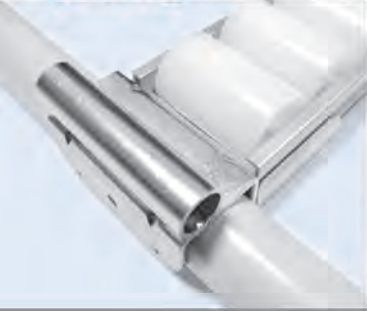
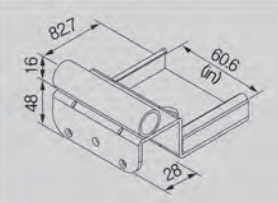
- Weight : 0.164kg
- Q'ty/Box : 60pcs

**GP-APF60** Roller Mounting Bracket


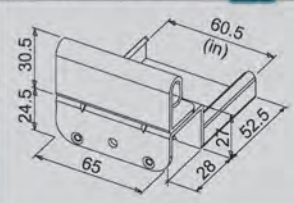
- Weight : 0.139kg
- Q'ty/Box : 60pcs

**GP-B60-1** Roller Mounting Bracket / Tab Stop

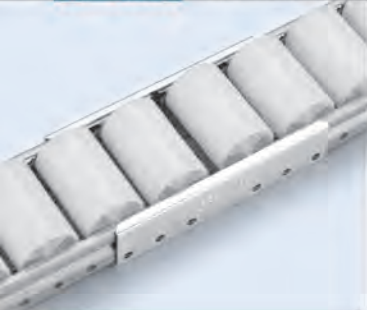
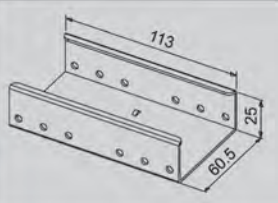
- Weight : 0.196kg
- Q'ty/Box : 30pcs

**GP-B60** Roller Mounting Bracket / Tab Stop **33**


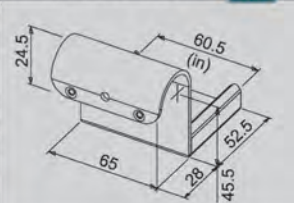
- Weight : 0.250kg
- Q'ty/Box : 30pcs

**GP-CN60** Roller Track Union


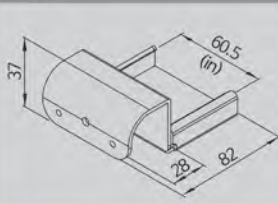
- Weight : 0.168kg
- Q'ty/Box : 68pcs

**GP-D60** Roller Mounting Bracket / Drop Stop **33**


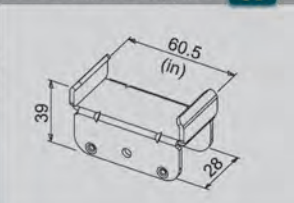
- Weight : 0.209kg
- Q'ty/Box : 40pcs

**GP-DF60J** Roller Mounting Bracket


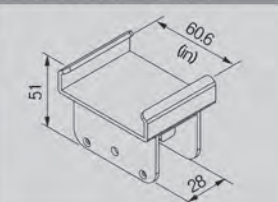
- Weight : 0.174kg
- Q'ty/Box : 40pcs

**GP-E60** Roller Mounting Bracket / Center Support **33**


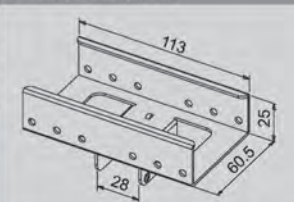
- Weight : 0.097kg
- Q'ty/Box : 100pcs

**GP-EH60** Roller Mounting Bracket / Center Support

- Weight : 0.176kg
- Q'ty/Box : 50pcs

**GP-EN60** Roller Track Union / Center Support

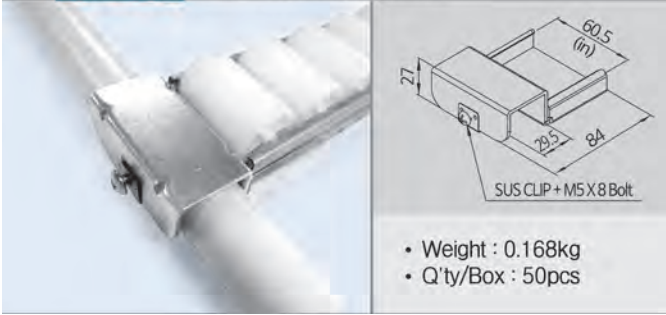
- Weight : 0.158kg
- Q'ty/Box : 20pcs

# MOUNTING BRACKET

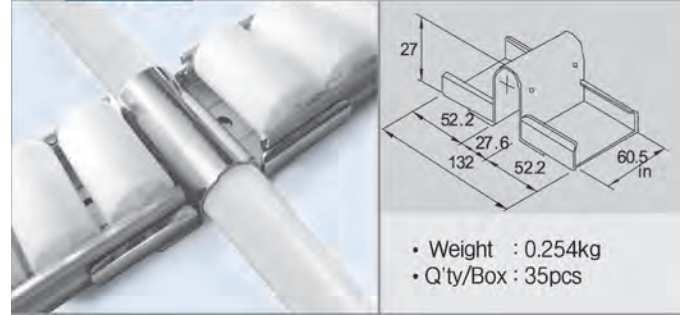
## SERIE 60

Unit : mm

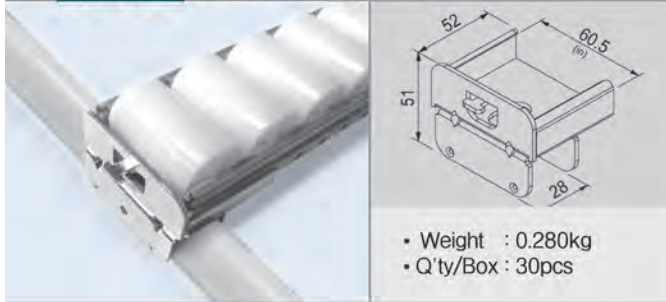
**GP-FC60** Roller Mounting Bracket



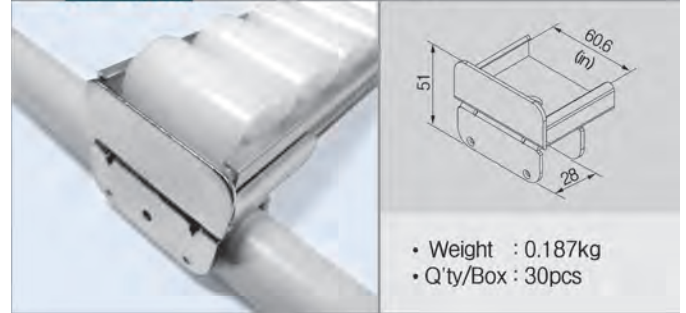
**GP-HN60** Roller Track Union



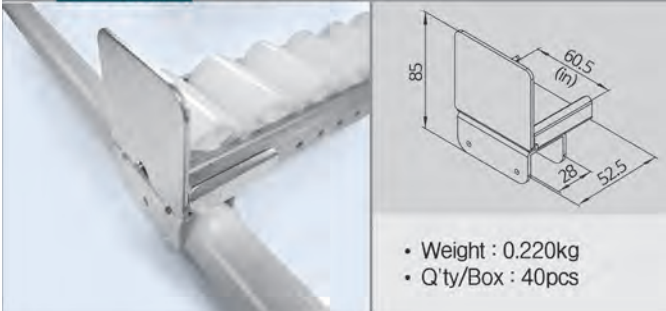
**GP-L60** Roller Mounting Bracket



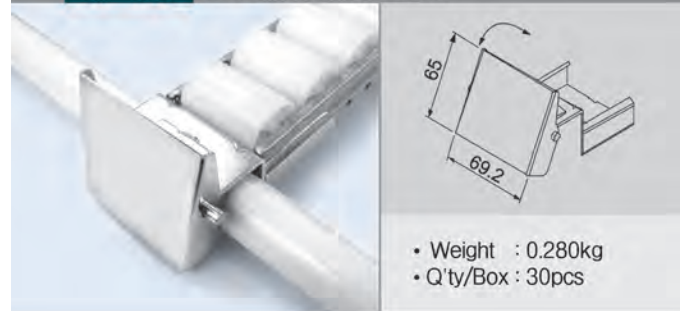
**GP-L60W** Roller Mounting Bracket



**GP-L60WB** Roller Mounting Bracket



**GP-M60** Roller Mounting Bracket





**GP-A70** Roller Mounting Bracket **33**

- Weight : 0.204kg
- Q'ty/Box : 50pcs

**GP-B70** Roller Mounting Bracket / Tab Stop **33**

- Weight : 0.280kg
- Q'ty/Box : 30pcs

**GP-E70** Roller Mounting Bracket / Center Support

- Weight : 0.170kg
- Q'ty/Box : 60pcs

**GP-EN70** Roller Mounting Bracket / Center Support

- Weight : 0.265kg
- Q'ty/Box : 12pcs

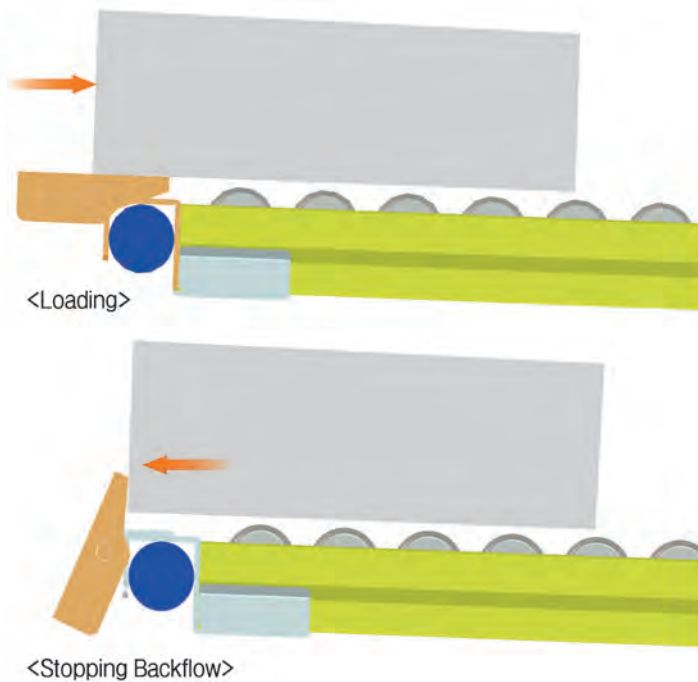
**GP-L70** Roller Mounting Bracket

- Weight : 0.209kg
- Q'ty/Box : 60pcs

**GP-M70** Roller Mounting Bracket

- Weight : 0.330kg
- Q'ty/Box : 20pcs

**Example for GP-M60**



Surface Treatment - WZ

**33** is able to be fixed to the joint.  
The Part No. of 33 is GP-A33, GP-B33

Unit : mm

**GP-A85** Roller Mounting Bracket **33**

- Weight : 0.231kg
- Q'ty/Box : 40pcs

**GP-B85** Roller Mounting Bracket / Tab Stop **33**

- Weight : 0.300kg
- Q'ty/Box : 30pcs

**GP-B85-1** Roller Mounting Bracket / Tab Stop **33**

- Weight : 0.318kg
- Q'ty/Box : 20pcs

**GP-C85** Roller Track Union

- Weight : 0.140kg
- Q'ty/Box : 70pcs

**GP-C85-1** Roller Track Union / Center Support

- Weight : 0.243kg
- Q'ty/Box : 20pcs

**GP-D85** Roller Mounting Bracket / Drop Stop

- Weight : 0.235kg
- Q'ty/Box : 30pcs

**GP-E85** Roller Mounting Bracket / Center Support **33**

- Weight : 0.124kg
- Q'ty/Box : 80pcs

**GP-EN85** Roller Mounting Bracket / Center Support

- Weight : 0.324kg
- Q'ty/Box : 12pcs

**GP-L85W** Roller Mounting Bracket

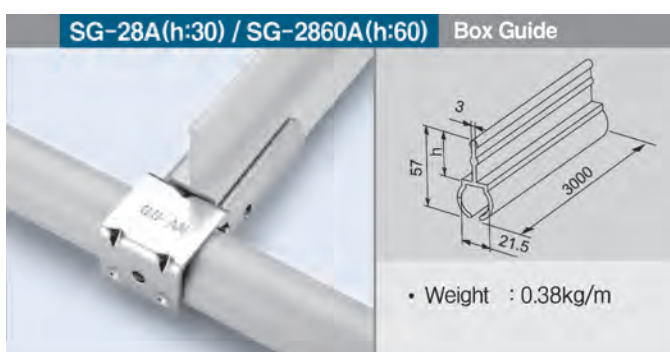
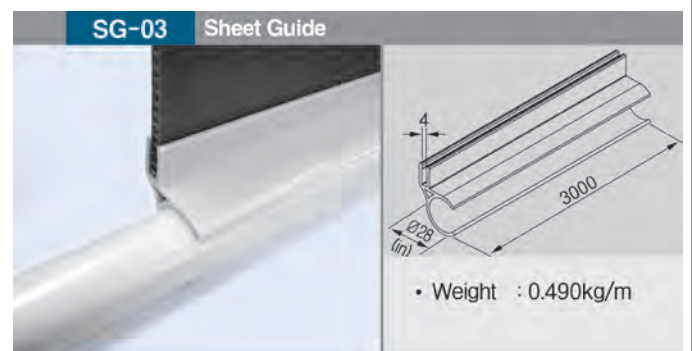
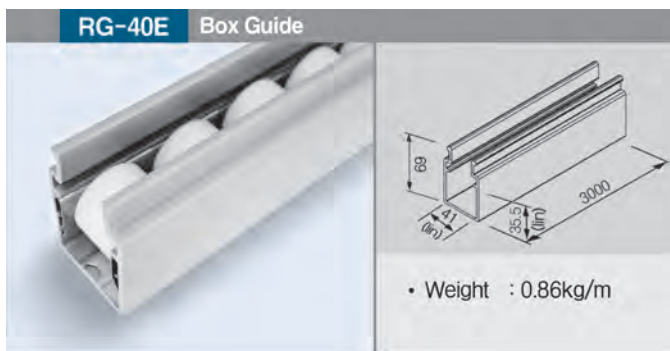
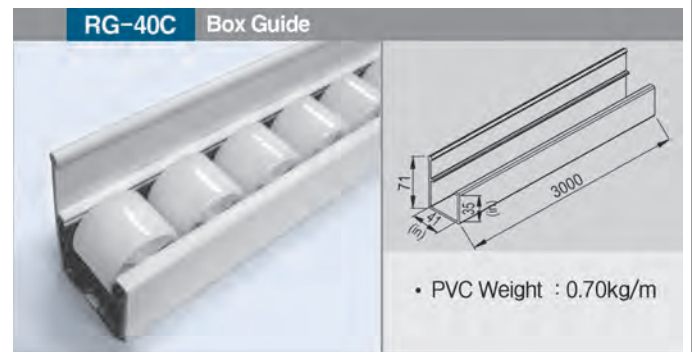
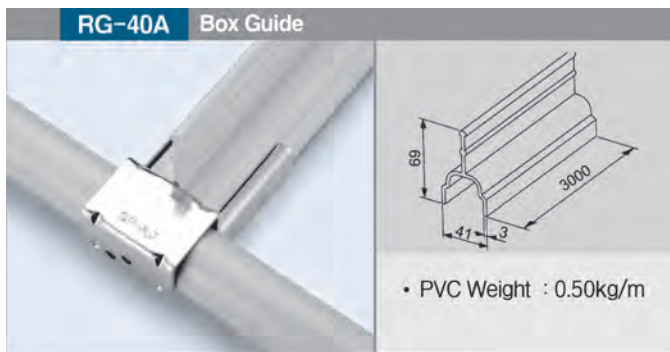
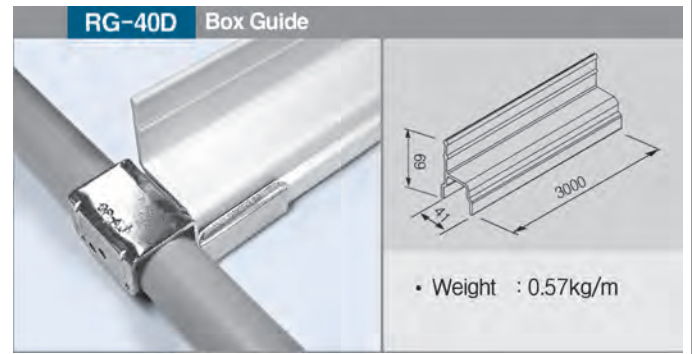
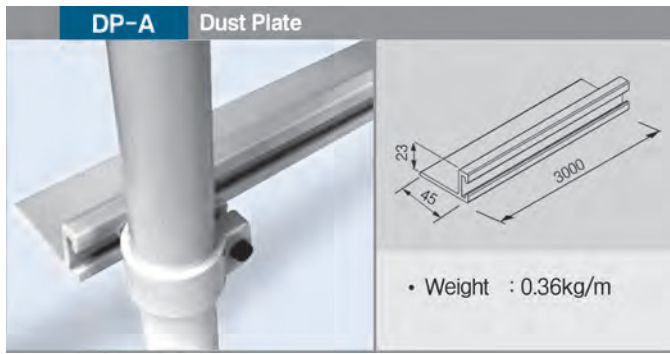
- Weight : 0.276kg
- Q'ty/Box : 24pcs

**GP-M85** Roller Mounting Bracket

- Weight : 0.403kg
- Q'ty/Box : 20pcs

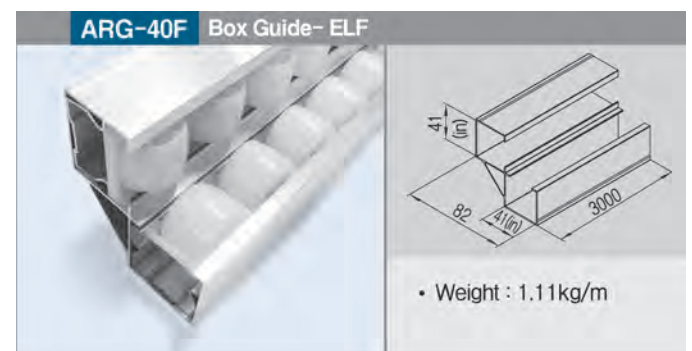
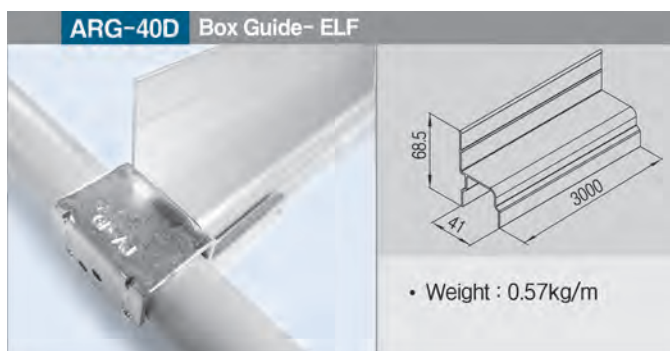
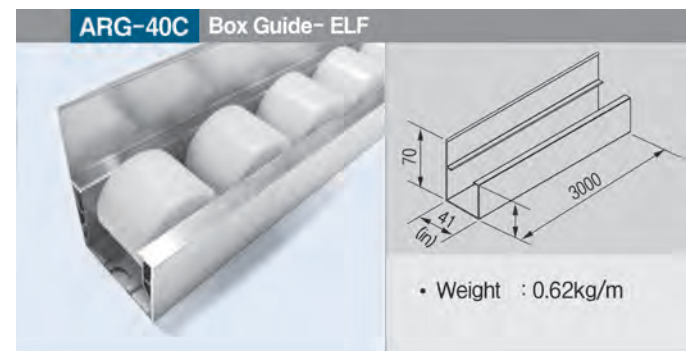
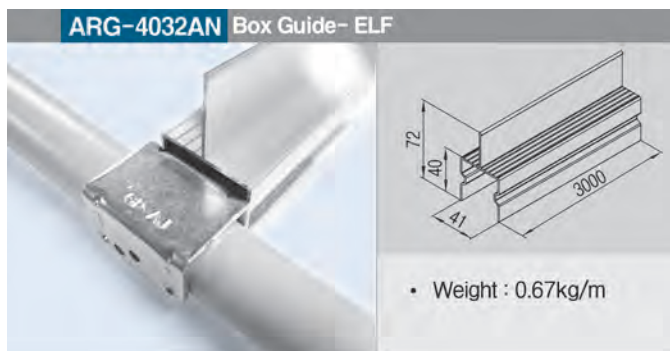
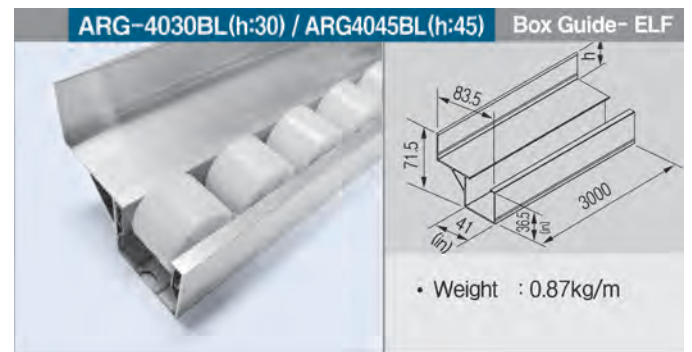
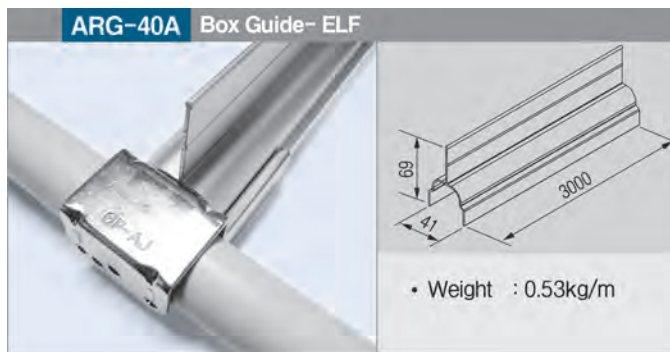
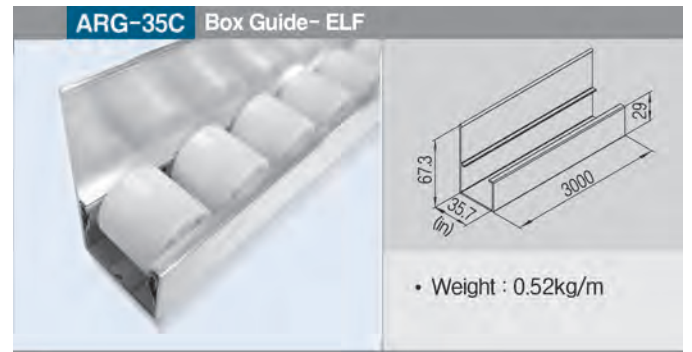
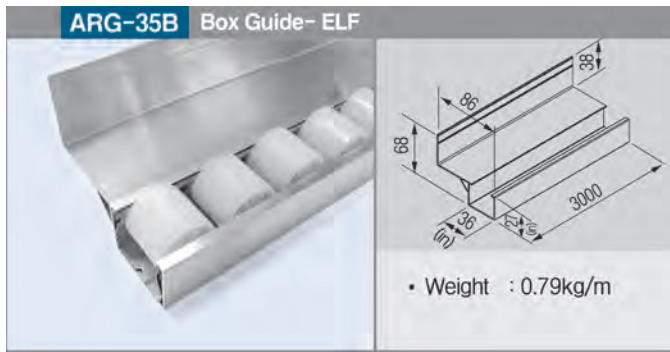
Unit : mm

## BOX GUIDE PLASTIC



### BOX GUIDE ALUMINIUM

Unit : mm



Unit : mm

### EWS-( ) WORK STOPPER

#### STANDARD TYPE (Material-ST5)



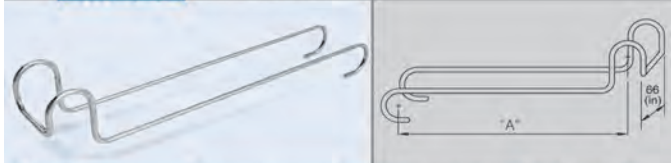
#### SPECIAL TYPE (Material-ST5)



Part No	Model	Weight	Q'ty/Box
EWS -A	GP4036A/4036B	0.056kg	240pcs
EWS-B	GP4050C	0.041kg	300pcs
EWS-C	GP8550SR	0.136kg	70pcs
EWS-D	GP4050D	0.061 kg	160 pcs
EWS-E	GP3533B	0.036 kg	320 pcs
EWS-F	GP6033B	0.085 kg	170 pcs
EWS-G	GP4040A/B	0.085 kg	240 pcs
EWS-J	GP6016S	0.078 kg	200 pcs
EWS-K	GP8543B/HA	0.140 kg	90 pcs

Part No	Model	Weight	Q'ty/Box
EWS -AN	GP4036A/4036B	0.086kg	250 pcs
EWS-GN	GP4040A/B	0.056kg	250 pcs
EWS-MN	GPR8545B/HA	0.155kg	30pcs

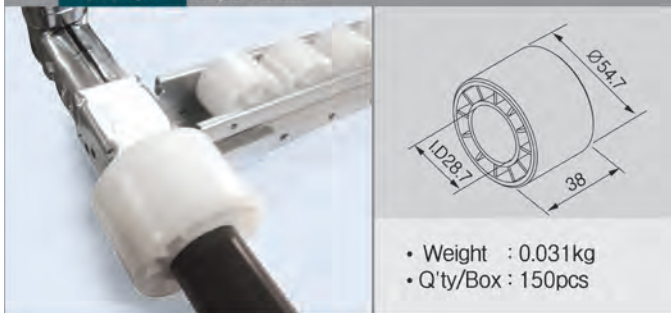
### WR-( ) WIRE RACKS



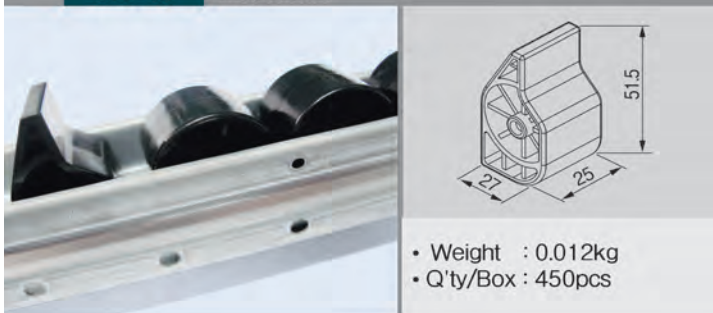
Part No	Pipe	A	Weight	Q'ty/Box
WR-200		235	0.182	25
WR-300	∅28	335	0.230	80
WR-400		435	0.271	30



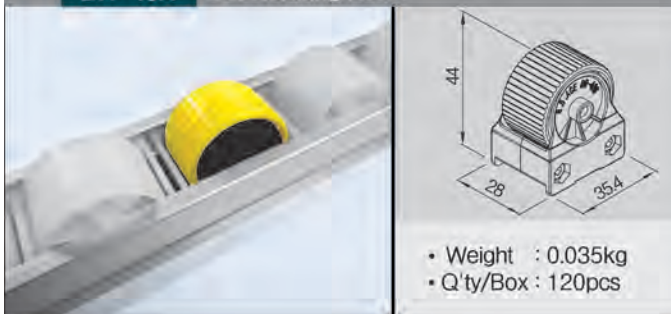
### PR-01 Pipe Roller



### SR-40 Stop Roller



### DR-40R Decelerating Roller



Roller Q'ty	Maximum Box Brake Weight Per Slope					Remark
	$\theta = 1.5^\circ$	$\theta = 2.0^\circ$	$\theta = 2.5^\circ$	$\theta = 3.0^\circ$	$\theta = 3.5^\circ$	
1set(2ea)	32Kg	25Kg	6 Kg	4 Kg	2.5 Kg	Roller Load = 1.4Kgi/ea
2set(4ea)	-	32Kg	12Kg	9 Kg	5 Kg	

