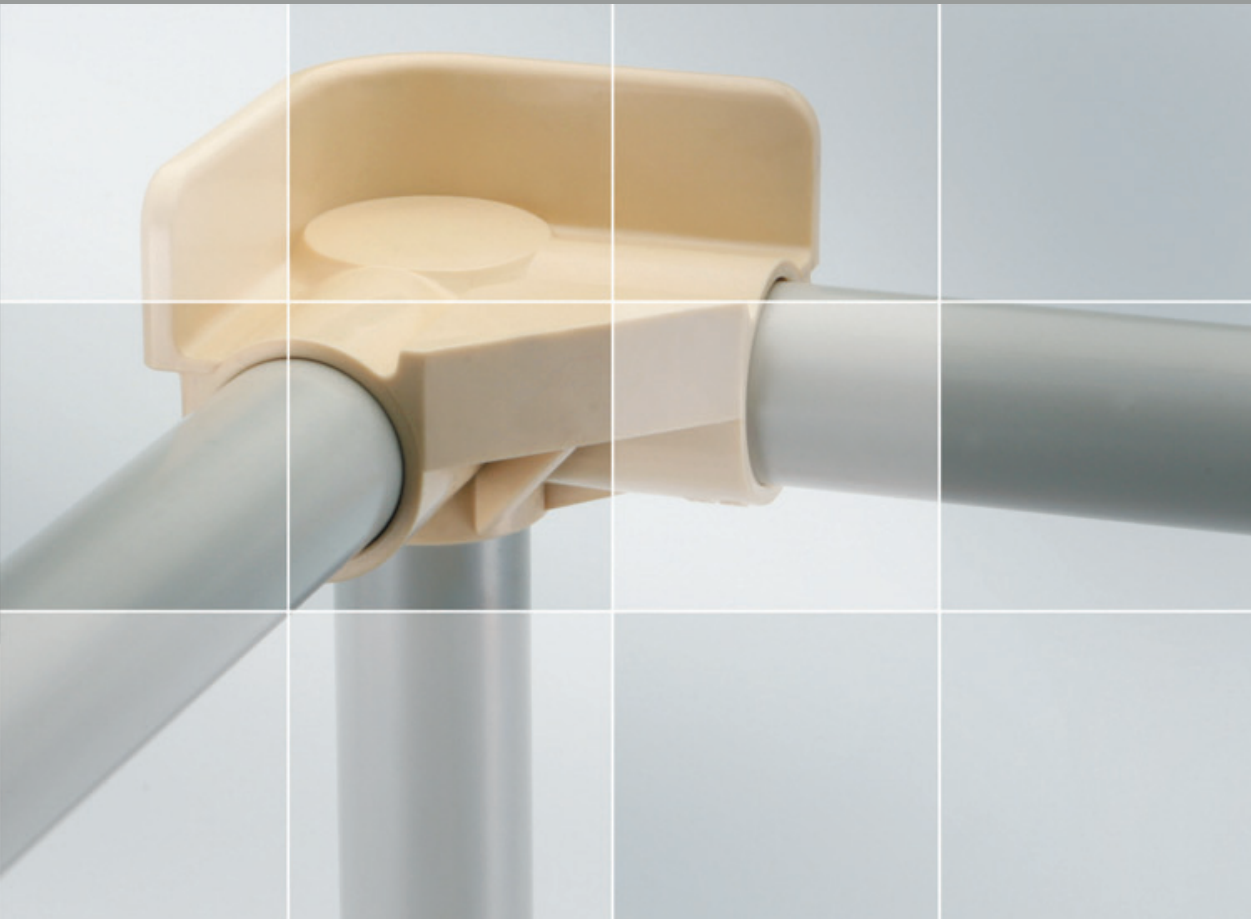


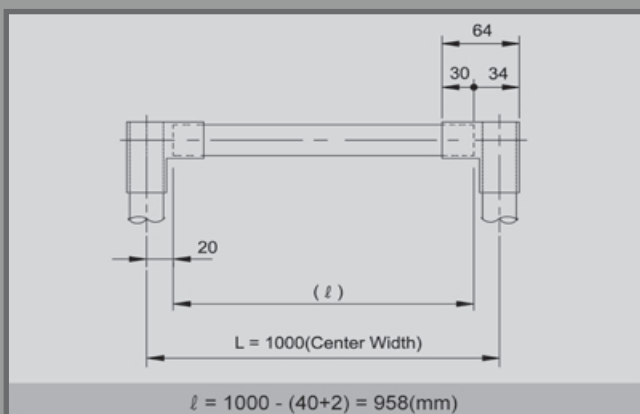
# PLASTIC JOINTS



## COLORS

- Ivoire
- Gray
- Green
- Black (ESD)
- Dark gray

## JOINTS



Case of  $\varnothing 28$  mm

1000 mm	Center Measurement (L)
- 40 mm	Pipe Length Inside Joint (20mm x 2)
- 2 mm	Extra Measurement (2mm - 5 mm)
958 mm	Pipe Length (l)

# PLASTIC JOINTS

Unit : mm

**GAP-1** Plastic Joint

- Weight : 0.030kg
- Q'ty/Box : 150pcs

**GAP-2A** Plastic Joint

- Weight : 0.045kg
- Q'ty/Box : 75pcs

**GAP-2B** Plastic Joint (Through part "D")

- Weight : 0.048kg
- Q'ty/Box : 75pcs

**GAP-5** Plastic Joint Corner

- Weight : 0.032kg
- Q'ty/Box : 150pcs

**GAP-10L** Plastic Joint

- Weight : 0.042kg
- Q'ty/Box : 120pcs

**GAP-10R** Plastic Joint

- Weight : 0.042kg
- Q'ty/Box : 120pcs

**GAP-13** Plastic Joint Corner

- Weight : 0.059kg
- Q'ty/Box : 75pcs

**GAP-14** Plastic Joint Corner Cushion Type

- Weight : 0.075kg
- Q'ty/Box : 75pcs

**GAP-16** Plastic Joint

- Weight : 0.018kg
- Q'ty/Box : 300pcs

**GAP-18** Plastic Joint

- Weight : 0.022kg
- Q'ty/Box : 240pcs

Unit : mm

**GAP-24A** Plastic Joint

- Weight : 0.060kg
- Q'ty/Box : 75pcs

**GAP-24B** Plastic Joint (Through part "D")

- Weight : 0.057kg
- Q'ty/Box : 75pcs

**GAP-25A** Plastic Joint

- Weight : 0.075kg
- Q'ty/Box : 45pcs

**GAP-25B** Plastic Joint (Through part "D")

- Weight : 0.072kg
- Q'ty/Box : 45pcs

**GAP-26A** Plastic Joint

- Weight : 0.055kg
- Q'ty/Box : 75pcs

**GAP-26B** Plastic Joint (Through part "D")

- Weight : 0.054kg
- Q'ty/Box : 75pcs

**GAP-27A** Plastic Joint

- Weight : 0.035kg
- Q'ty/Box : 150pcs

**GAP-27B** Plastic Joint (Through part "D")

- Weight : 0.033kg
- Q'ty/Box : 150pcs



# PLASTIC JOINTS

Unit : mm

**GAP-28A** Plastic Joint

- Weight : 0.046kg
- Q'ty/Box : 90pcs

**GAP-28B** Plastic Joint (Through part "D")

- Weight : 0.044kg
- Q'ty/Box : 90pcs

**GAP-29A** Plastic Joint

- Weight : 0.045kg
- Q'ty/Box : 90pcs

**GAP-29B** Plastic Joint (Through part "D")

- Weight : 0.043kg
- Q'ty/Box : 90pcs

**GAP-30** Plastic Joint

- Weight : 0.025kg
- Q'ty/Box : 210pcs

**GAP-31** Plastic Joint

- Weight : 0.020kg
- Q'ty/Box : 210pcs

**GAP-45A** Plastic Joint

- Weight : 0.060kg
- Q'ty/Box : 75pcs

**GAP-45B** Plastic Joint (Through part "D")

- Weight : 0.057kg
- Q'ty/Box : 75pcs

**GAP-64** Corner Support Joint

Patent Pending

- Weight : 0.165kg
- Q'ty/Box : 38pcs

**GAP-65** Corner Support Cap

Patent Pending

- Weight : 0.015kg
- Q'ty/Box : 400pcs