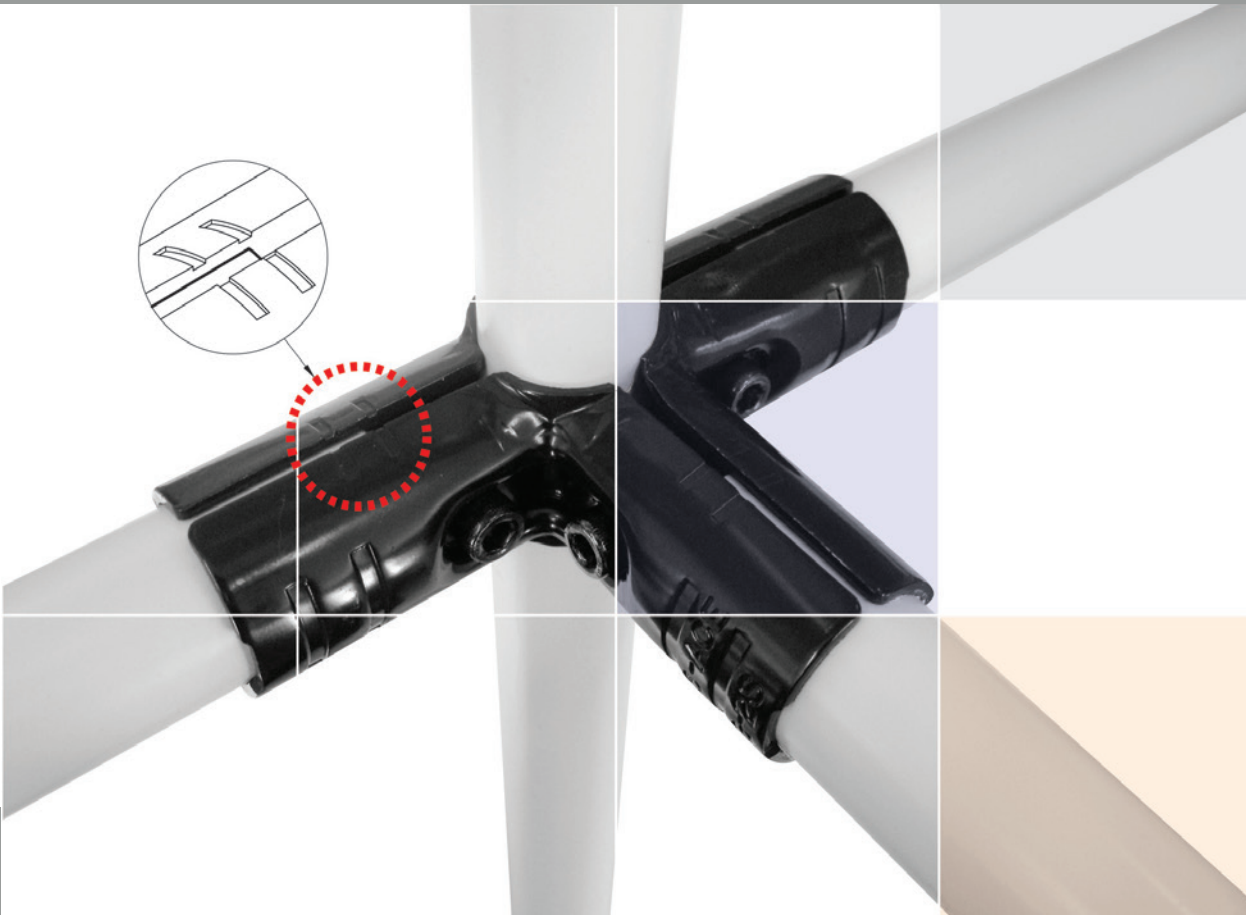
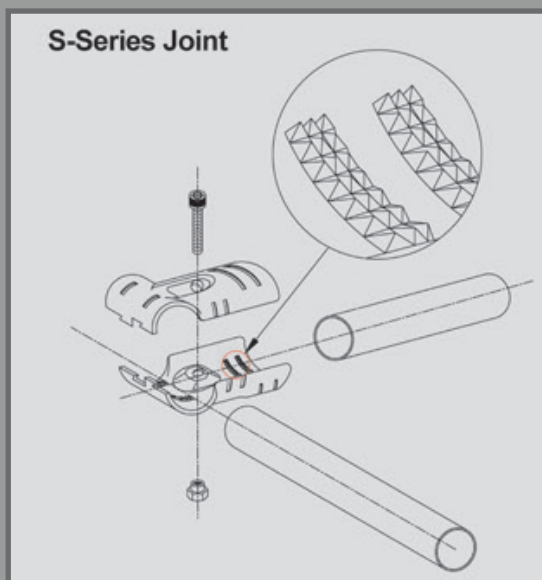


METAL JOINTS



COLORS

- Black
- White
- Nickel



METAL JOINTS - SERIES FEATURES

- ✦ Developed and patented design for 28 stainless steel pipes.
- ✦ Excellent grip characteristics achieved by introducing series of protruded pyramids in contact with stainless steel pipes.
- ✦ When used with coated pipes, grip is enhanced by 30 %

SURFACE TREATMENT & CODE NUMBER

Code	Surface treatment	Remarks
BK	Black Coating	Non Chrome
WZ	Zinc Plating (white)	Cro3
Ni	Nickel Plating	Non Chrome

Unit : mm

METAL JOINTS

Ø28

Unit : mm

G-1S

- Weight : 0.068kg
- Q'ty/Box : 240pcs

G-1BS

- Weight : 0.061kg
- Q'ty/Box : 240pcs

G-2S

- Weight : 0.095kg
- Q'ty/Box : 150pcs

G-3S

- Weight : 0.120kg
- Q'ty/Box : 70pcs

G-4S

- Weight : 0.105kg
- Q'ty/Box : 180pcs

G-6S

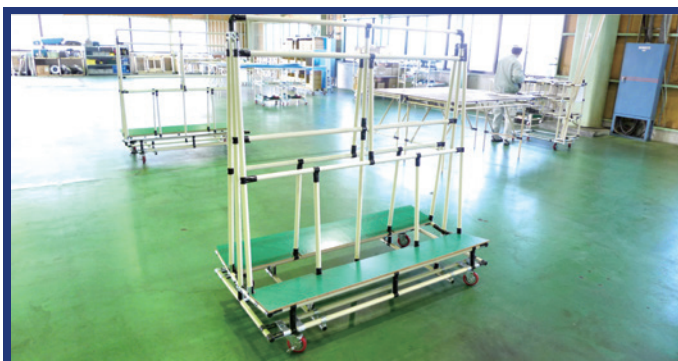
- Weight : 0.048kg
- Q'ty/Box : 180pcs

G-6BS

- Weight : 0.042kg
- Q'ty/Box : 240pcs

G-6B-33

- Weight : 0.046kg
- Q'ty/Box : 180pcs



G-7AS

- Weight : 0.044kg
- Q'ty/Box : 300pcs

G-7BS

- Weight : 0.052kg
- Q'ty/Box : 300pcs

G-7CS

Utility Model Patent

- Weight : 0.062kg
- Q'ty/Box : 210pcs

G-8S

Design Patent No. 0256329

- Weight : 0.049kg
- Q'ty/Box : 300pcs

G-9S

- Weight : 0.120kg
- Q'ty/Box : 100pcs

G-12S

- Weight : 0.060kg
- Q'ty/Box : 210pcs

G-13AS

- Weight : 0.063kg
- Q'ty/Box : 160pcs


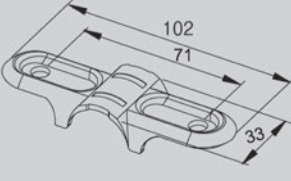
G-13BS

- Weight : 0.062kg
- Q'ty/Box : 160pcs




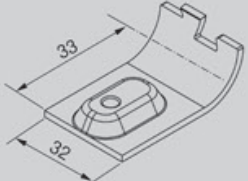
Unit : mm

G-14S


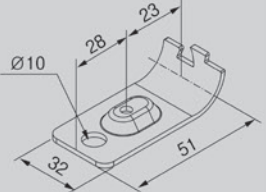
- Weight : 0.052kg
- Q'ty/Box : 260pcs

G - 15AC Back Stopper Bracket

- Weight : 0.032kg
- Q'ty/Box : 500pcs


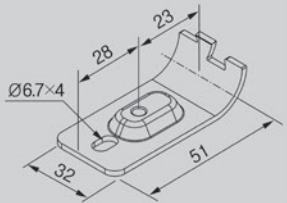
G-15AH

- Weight : 0.046kg
- Q'ty/Box : 300pcs

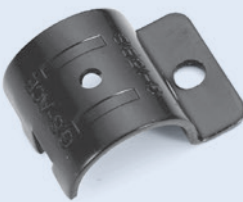
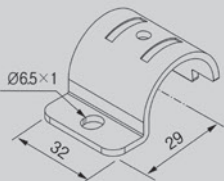


G-15AS


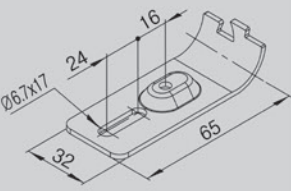
- Weight : 0.040kg
- Q'ty/Box : 480pcs

G-15BS


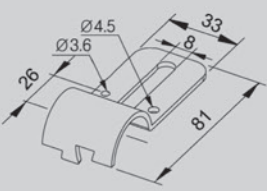
- Weight : 0.037kg
- Q'ty/Box : 480pcs

G-15D

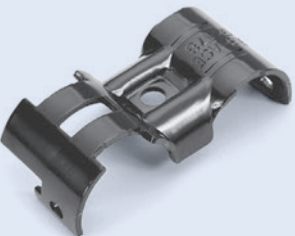
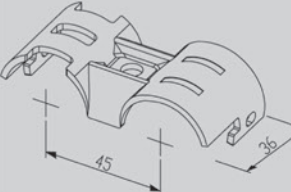
- Weight : 0.048kg
- Q'ty/Box : 300pcs

G-16S

- Weight : 0.049kg
- Q'ty/Box : 300pcs

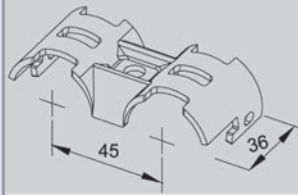
G-17S

- Weight : 0.057kg
- Q'ty/Box : 200pcs

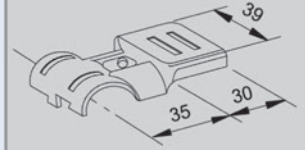


G-18S



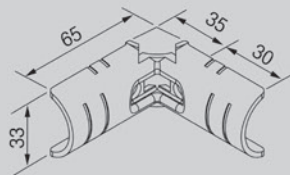
- Weight : 0.057kg
- Q'ty/Box : 180pcs

G-20S



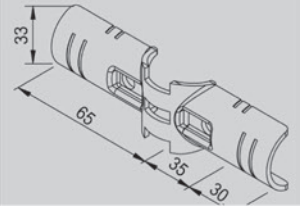
- Weight : 0.064kg
- Q'ty/Box : 200pcs

G-22S



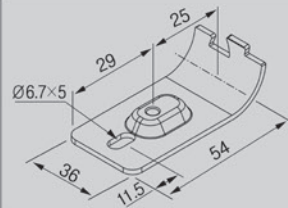
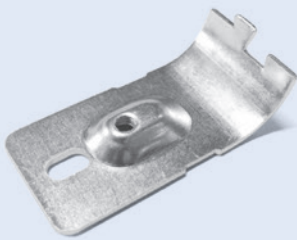
- Weight : 0.085kg
- Q'ty/Box : 150pcs

G-24S



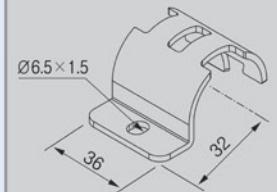
- Weight : 0.092kg
- Q'ty/Box : 150pcs

G-25AS



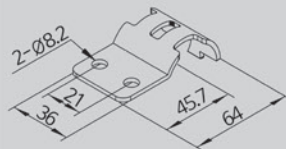
- Weight : 0.050kg
- Q'ty/Box : 360pcs

G-25BS



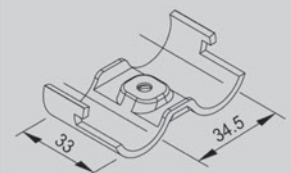
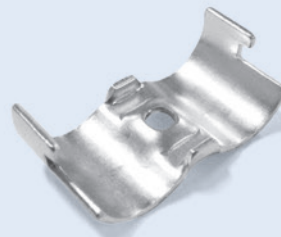
- Weight : 0.043kg
- Q'ty/Box : 360pcs

G-25C

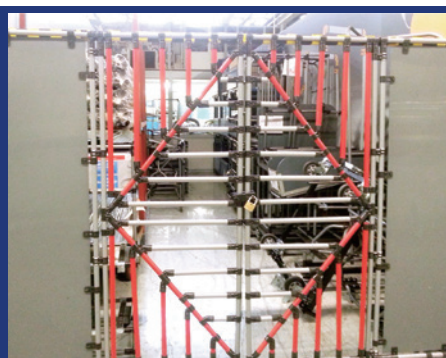


- Weight : 0.042kg
- Q'ty/Box : 300pcs

G-28


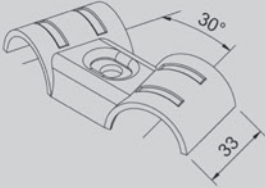


- Weight : 0.050kg
- Q'ty/Box : 240pcs




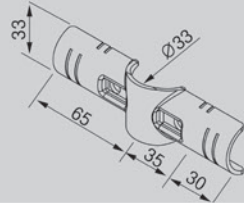
Unit : mm

G-30S


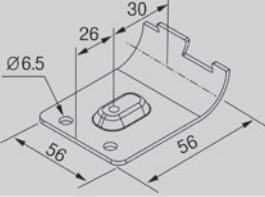
- Weight : 0.060kg
- Q'ty/Box : 240pcs

G-34S

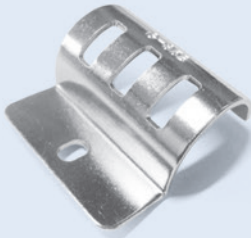
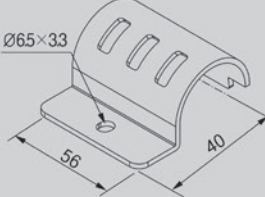
- Weight : 0.105kg
- Q'ty/Box : 180pcs

G-35AS

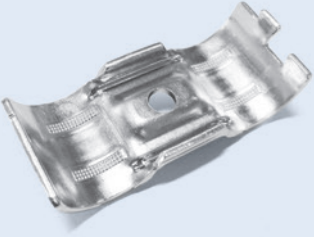
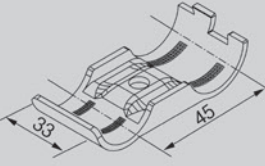
- Weight : 0.080kg
- Q'ty/Box : 240pcs

G-35BS

- Weight : 0.075kg
- Q'ty/Box : 240pcs


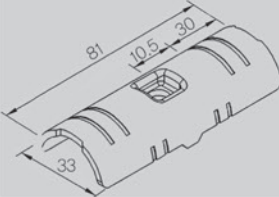
G-38S

- Weight : 0.057kg
- Q'ty/Box : 300pcs

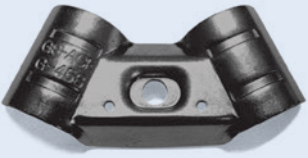
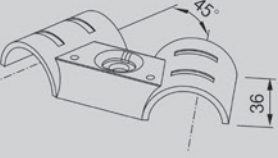
G-44

Utility Model Patent
Design Patent


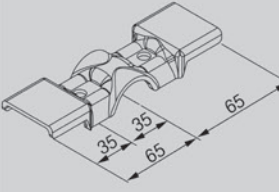
- Weight : 0.070kg
- Q'ty/Box : 270pcs

G-45S

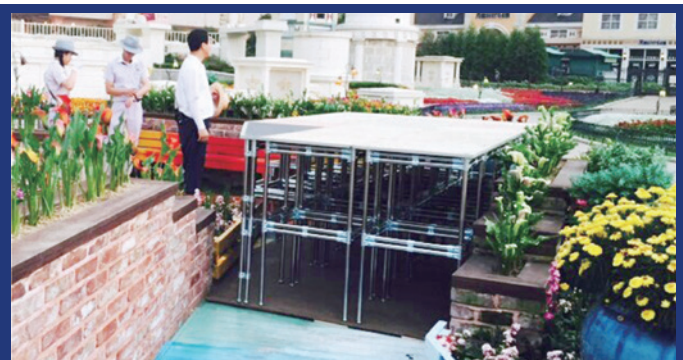



- Weight : 0.071kg
- Q'ty/Box : 200pcs

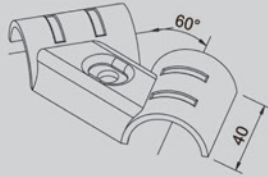
G-54S

- Weight : 0.099kg
- Q'ty/Box : 120pcs

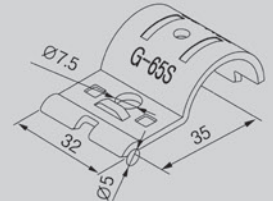


G-60S



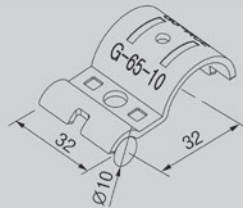
- Weight : 0.076kg
- Q'ty/Box : 200pcs

G-65S For Ø5



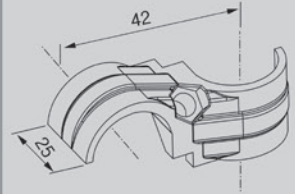
- Weight : 0.038kg
- Q'ty/Box : 480pcs

G-65S-10 For Ø10



- Weight : 0.0380kg
- Q'ty/Box : 480pcs

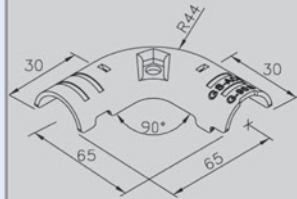
G-66 Material : Aluminium



- Weight : 0.042kg
- Q'ty/Box : 160pcs

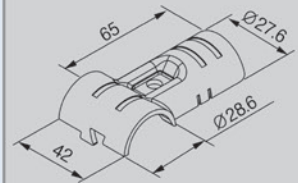
G-90S

Utility Model Patent



- Weight : 0.096kg
- Q'ty/Box : 100pcs

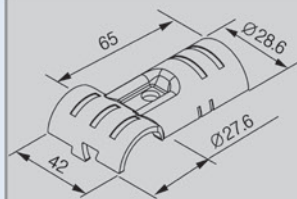
G-101



- Weight : 0.074kg
- Q'ty/Box : 180pcs

* For Ø28.6

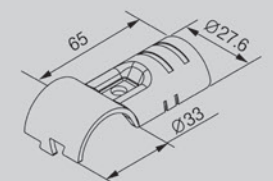
G-102



- Weight : 0.074kg
- Q'ty/Box : 200pcs

* For Ø28.6

G-103



- Weight : 0.07kg
- Q'ty/Box : 240pcs

* For connection at the top of joint


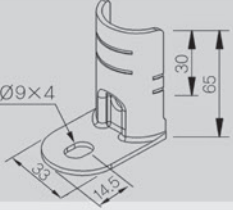


METAL JOINTS

Ø28


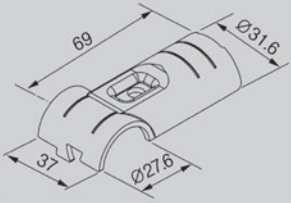
Unit : mm

G-104


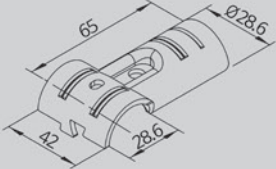
- Weight : 0.070kg
- Q'ty/Box : 240pcs

G-105

- Weight : 0.080kg
- Q'ty/Box : 200pcs


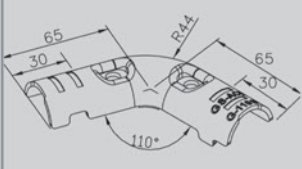
G-106

- Weight : 0.078kg
- Q'ty/Box : 200pcs

G-110S

Design Patent

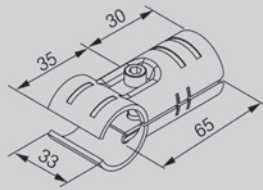



- Weight : 0.103kg
- Q'ty/Box : 100pcs



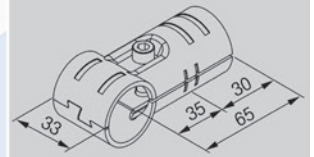
Unit : mm

GA-1BS



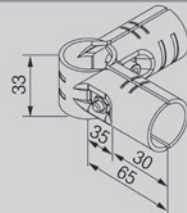
- G-1BS : 2pcs
- M0625/TN06 : 1set

GA-1S



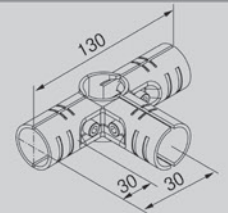
- G-1S : 2pcs
- M0625/TN06 : 1set

GA-2S



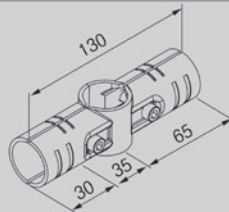
- G-2S : 1pcs G-3S : 1pcs
- M0625/TN06 : 2set

GA-3S



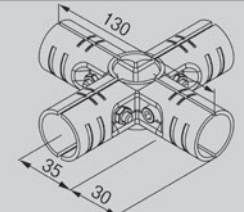
- G-2S : 2pcs G-4S : 1pcs
- M0625/TN06 : 3set

GA-4S



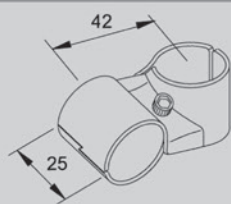
- G-4S : 2pcs
- M0625/TN06 : 2set

GA-5S



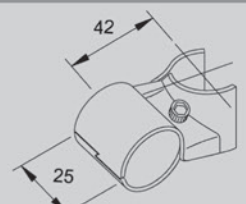
- G-2S : 4pcs
- M0625/TN06 : 4set

GA-6S



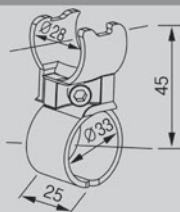
- G-6S : 2pcs
- M0625/TN06 : 1set

GA-6BS



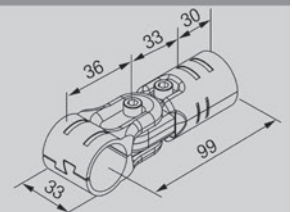
- G-6BS : 2pcs
- M0625/TN06 : 1set

GA-6B-33



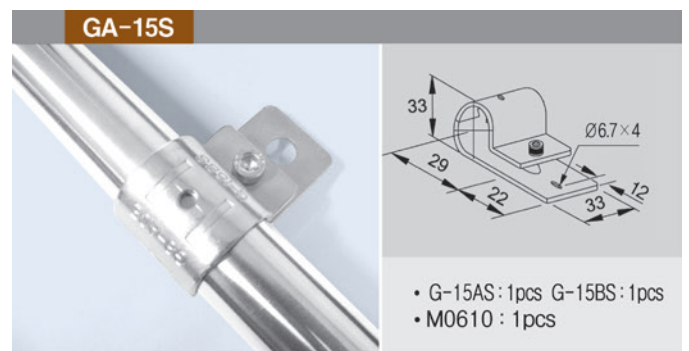
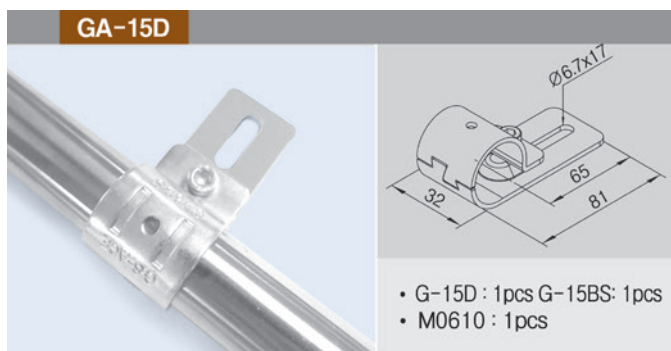
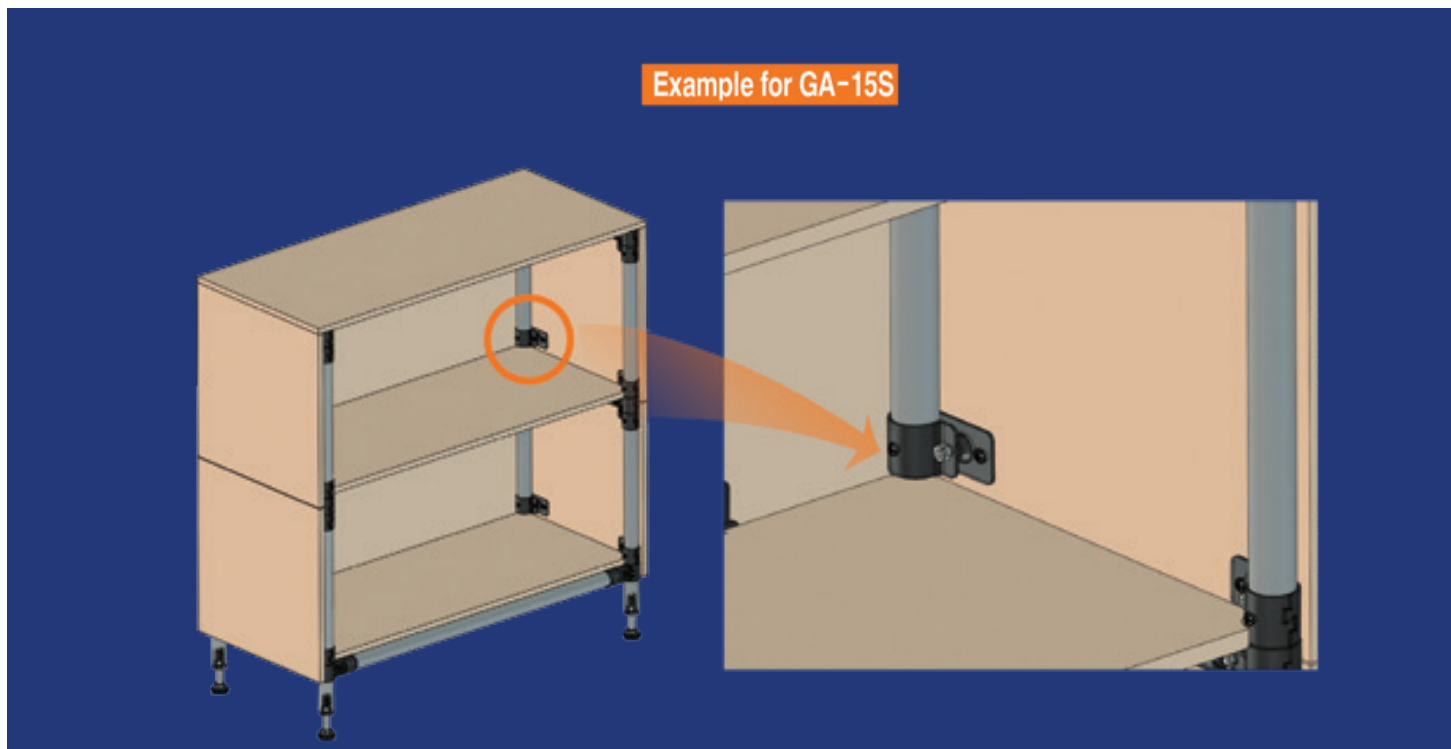
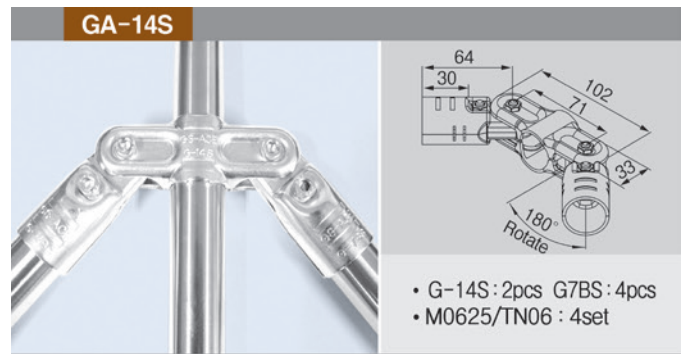
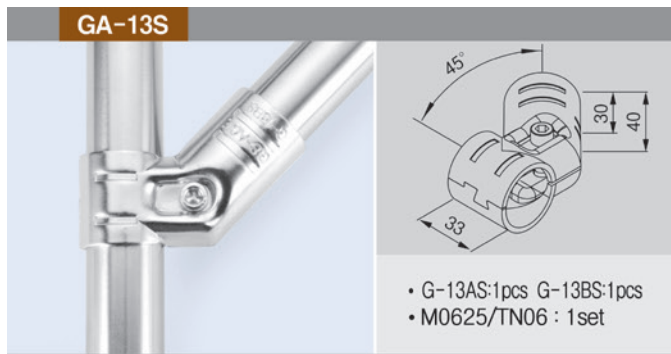
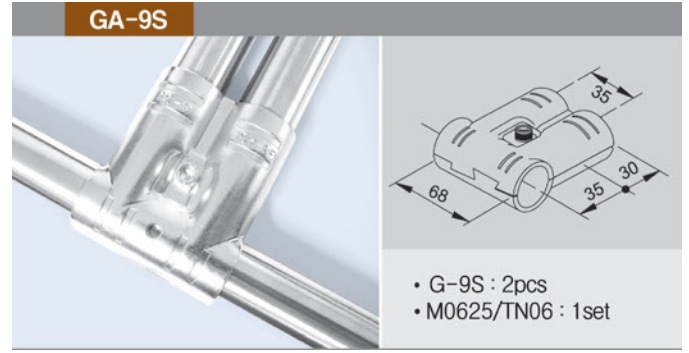
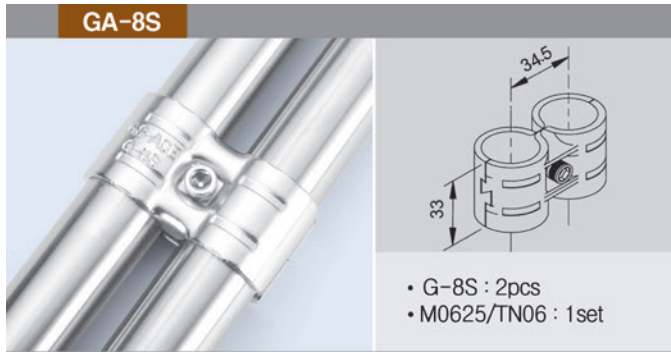
- G-6B-33 : 2pcs
- M0625/TN06 : 1set

GA-7S



- G-7AS : 2pcs G-7BS : 2pcs
- M0625/TN06 : 2set

Unit : mm



Unit : mm

GA-16S

Technical drawing shows dimensions: $\varnothing 4.5$, $\varnothing 3.6$, 26, 33, 8, 81.

- G-16S : 2pcs
- PW8 * 25 : 2pcs

GA-17S

Technical drawing shows dimensions: 45, 36.

- G-17S : 2pcs GAP-12:1pcs
- M0625/TN06 : 1set

* For one-side fixing

GA-18S

Technical drawing shows dimensions: 45, 36.

- G-18S : 2pcs GAP-12:2pcs
- M0625/TN06 : 1set

GA-20S

Technical drawing shows dimensions: 33, 35, 30, 65.

- G-20S : 1pcs G-1S : 1pcs
- M0625/TN06 : 1set

GA-21A

Registration patent

Technical drawing shows dimensions: 53, 38.

- G-21A : 2pcs
- HM0620/TN06 : 1set

GA-24S

Technical drawing shows dimensions: 33, 65, 35, 30.

- G-24S : 2pcs GAP-12:1pcs
- M0625/TN06 : 2set

GA-25C

Technical drawing shows dimensions: 33, 21, 36, 45.7, 64.

- G-25C:2pcs GAP-12:1pcs
- M0825/N08 : 2set

GA-25S

Technical drawing shows dimensions: $\varnothing 6.7 \times 5$, 37, 11.5, 36, 22, 32.

- G-25AS: 1pcs G-25BS: 1pcs
- GAP-12: 1pcs M0610 : 1pcs

GA-27S

Utility Model Patent

Technical drawing shows dimensions: 30, 43.5, 33, 30, $\varnothing 2.8$.

- G-7CS : 2pcs G-7BS : 2pcs
- M0625/TN06 : 3set

GA-28

Technical drawing shows dimensions: 34.5, 33.

- G-28 : 2pcs
- M0625/TN06 : 1set

Unit : mm

GA-30S

- G-30S : 2pcs
- M0625/TN06 : 1set

GA-34S

- G-34S : 2pcs
- M0625/TN06 : 2set

Example for GA-34S

GA-35S

- G-35AS : 1pcs G-35BS : 1pcs
- GAP-56 : 1pcs M0610 : 1pcs

GA-38S

- G-38S : 2pcs
- M0625/TN06 : 1set

GA-44

Utility Model Patent
Design Patent

- G-44 : 2pcs
- M0625/TN06 : 1set

GA-45S

- G-45S : 2pcs
- M0625 / TN06 | 1set

GA-54S

- G-54S:1pcs G-4S:1pcs
- M0625/TN06 : 2set

GA-55S

- G-22S : 4pcs GAP-12:1pcs
- M0625/TN06 : 4set

GA-60S

- G-60S : 2pcs
- M0625/TN06 : 1set

Unit : mm

GA-65S For $\varnothing 5$

- G-65S : 2pcs
- M0610/TN06 : 1set

GA-65S-10 For $\varnothing 10$

- G-65S-10 : 2pcs
- M0610/TN06 : 1set

GA-66 Material : Aluminium

- G-66 : 2pcs
- M0625/TN06 : 1set

GA-90S

Utility Model Patent

- G-90S : 2pcs
- M0625/TN06 : 1set

GA-101

- G-101 : 2pcs
- M0625/TN06 : 1set

GA-102

- G-102 : 2pcs
- M0625/TN06 : 1set

GA-103

- G-103 : 2pcs
- M0625/TN06 : 1set

GA-104

- G-104 : 2pcs
- M0625/TN06 : 1set

GA-105

- G-105 : 2pcs
- M0630/TN06 : 1set

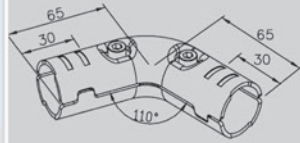
GA-106

- G-106 : 2pcs
- M0625/TN06 : 1set

Unit : mm

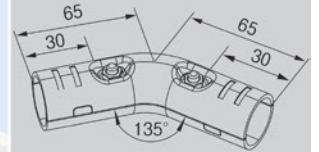
GA-110S

Design Patent



- G-110S : 2pcs
- M0625/TN06 : 2set

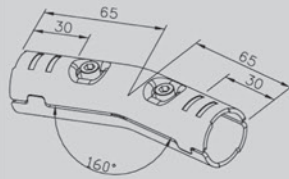
GA-135S



- G-135S : 2pcs
- M0625/TN06 : 2Set

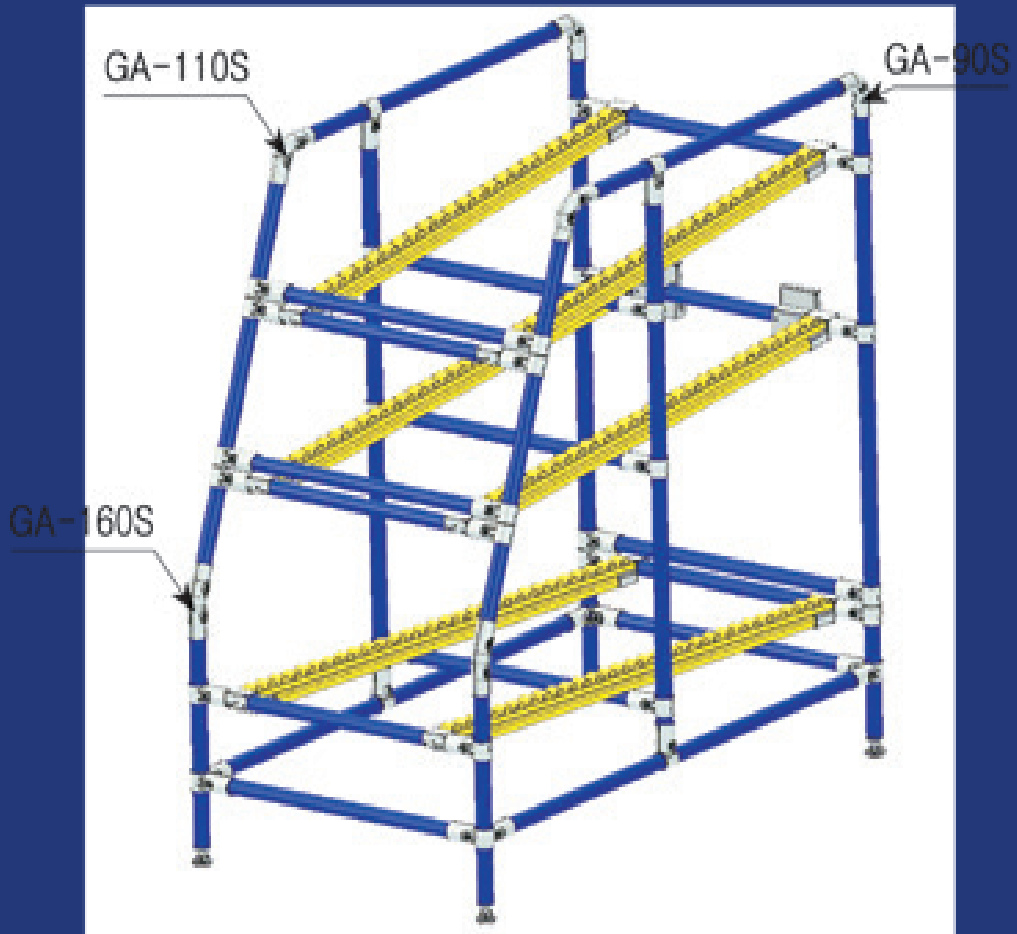
GA-160S

Design Patent



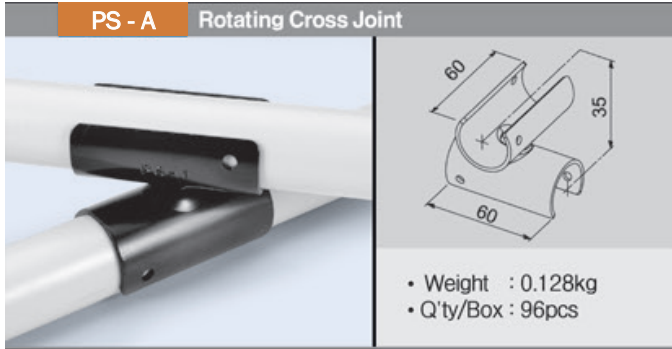
- G-160S : 2pcs
- M0625/TN06 : 2set

Example for GA-110S, GA-160S



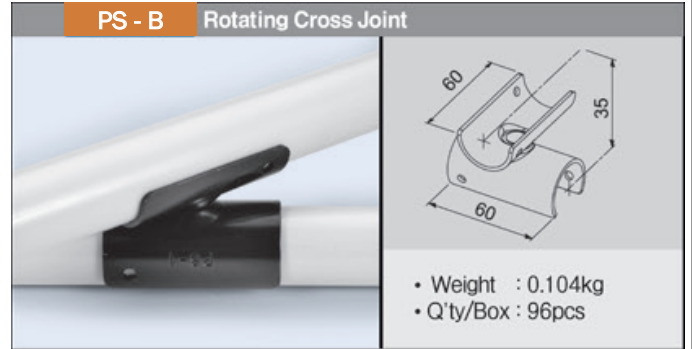
Unit : mm

PS - A Rotating Cross Joint



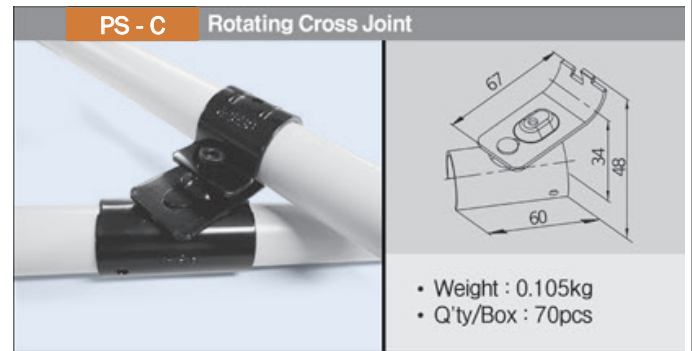
- Weight : 0.128kg
- Q'ty/Box : 96pcs

PS - B Rotating Cross Joint



- Weight : 0.104kg
- Q'ty/Box : 96pcs

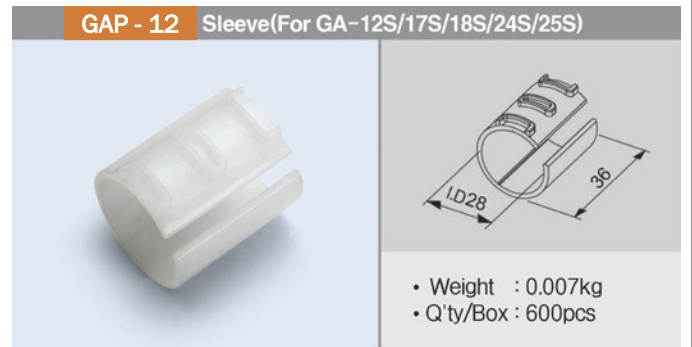
PS - C Rotating Cross Joint



- Weight : 0.105kg
- Q'ty/Box : 70pcs

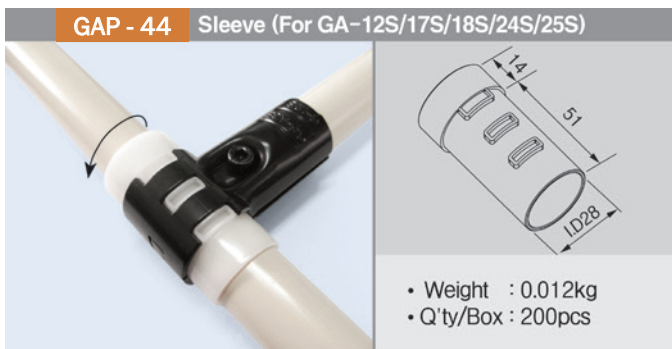


GAP - 12 Sleeve (For GA-12S/17S/18S/24S/25S)



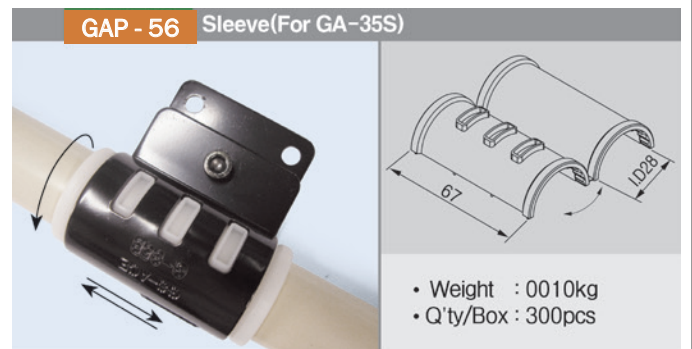
- Weight : 0.007kg
- Q'ty/Box : 600pcs

GAP - 44 Sleeve (For GA-12S/17S/18S/24S/25S)



- Weight : 0.012kg
- Q'ty/Box : 200pcs

GAP - 56 Sleeve (For GA-35S)



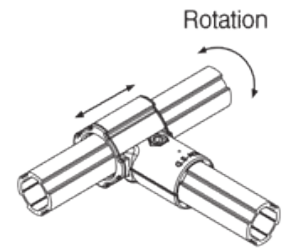
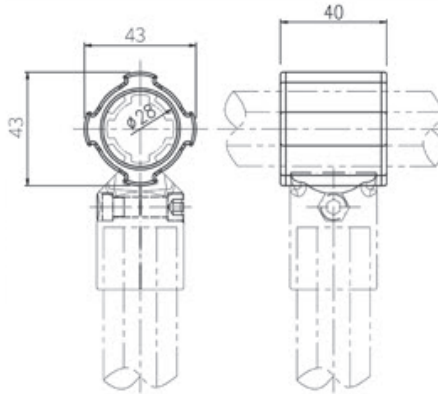
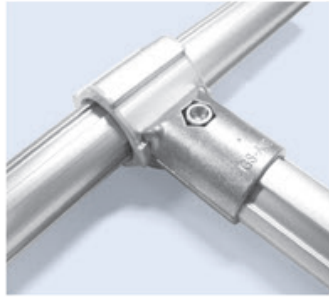
- Weight : 0.010kg
- Q'ty/Box : 300pcs

Unit : mm

AH-540

Aluminum Sleeve (Short Type)

Patent Pending

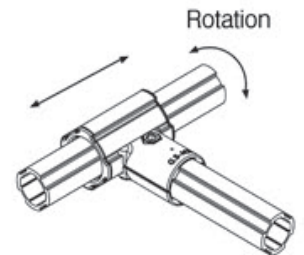
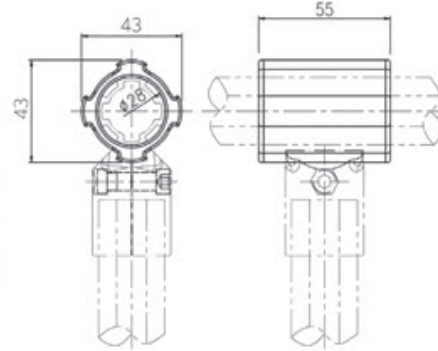
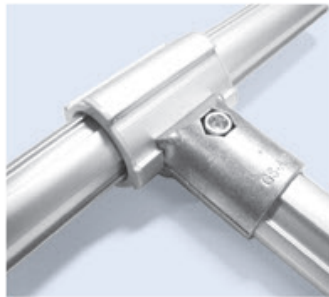


- Weight : 0.034kg
- Q'ty/Box : 100pcs

AH-555

Aluminum Sleeve (Long Type)

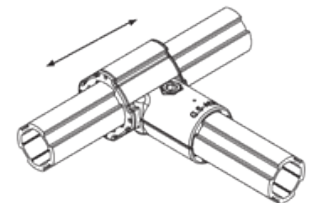
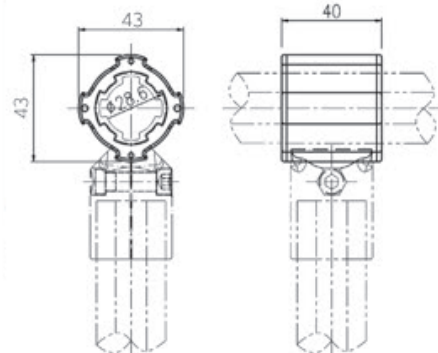
Patent Pending



- Weight : 0.046kg
- Q'ty/Box : 100pcs

AH-640

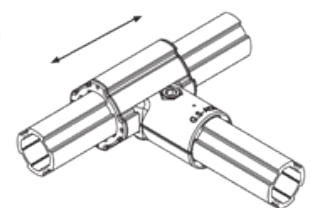
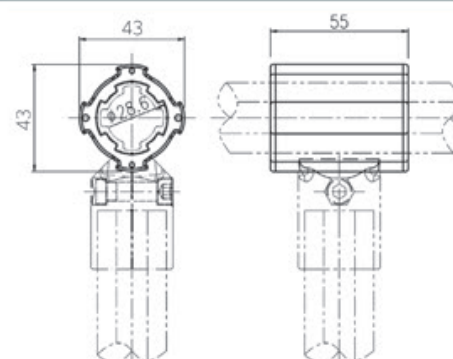
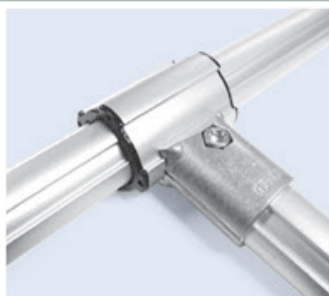
Aluminum Sleeve (Short Type)



- Weight : 0.035kg
- Q'ty/Box : 100pcs

AH-655

Aluminum Sleeve (Long Type)



- Weight : 0.047kg
- Q'ty/Box : 100pcs