

Unit : mm

**GAP-6** Label Holder

- Weight : 0.005kg
- Q'ty/Box : 1200pcs

**GAP-6B** Label Holder

- Weight : 0.005kg
- Q'ty/Box : 1200pcs

**GAP-20** Name Plate Holder

- Weight : 0.006kg
- Q'ty/Box : 1200pcs

**GAP-55** Name Plate Holder (Assembled NP-B)

• firmly secured by M4 screw and nut

Sold separately Bolt & Nut

- Weight : 0.009kg
- Q'ty/Box : 750pcs

**GAP-65** Corner Support Cap

Patent Pending

- Weight : 0.015kg
- Q'ty/Box : 400pcs

**LA** Label Case

- Weight : 0.044kg
- Q'ty/Box : 300pcs

**LA-A3** Label Case

- Weight : 0.170kg
- Q'ty/Box : 200pcs

**LA-C** Label Case

- Weight : 0.050kg
- Q'ty/Box : 200pcs



# IDENTIFICATION

Unit : mm

**LA-D** Label Case

- Weight : 0.012kg
- Q'ty/Box : 300pcs

**LA-E** Label Case

- Weight : 0.027kg
- Q'ty/Box : 300pcs

**LC** Label Case

- Weight : 0.027kg
- Q'ty/Box : 300pcs

**NP-A** Name Plate

- Weight : 0.079kg
- Q'ty/Box : 180pcs

**NP-B** Name Plate

- Weight : 0.047kg
- Q'ty/Box : 360pcs

**NP-C** Name Plate

- Weight : 0.035kg
- Q'ty/Box : 190pcs

**NP-D** Name Plate

- Weight : 0.032kg
- Q'ty/Box : 190pcs

**NP-E** Name Plate

- Weight : 0.023kg
- Q'ty/Box : 450pcs

**NP-F** Name Plate (Requires GAP-58, sold separately)

- Weight : 0.017kg
- Q'ty/Box : 1,000pcs

**NP-R** Name Plate

- Weight : 0.011kg
- Q'ty/Box : 1,000pcs



**GAP-3 Outer Cap**

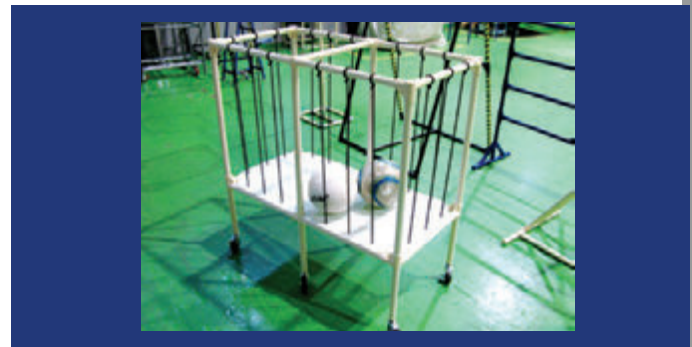
• Weight : 0.009kg  
• Q'ty/Box : 900pcs

**GAP-4P Inner Cap**

• Weight : 0.003kg  
• Q'ty/Box : 1500pcs

**GAP-4R Rubber Cap**

• Weight : 0.009kg  
• Q'ty/Box : 900pcs



**GAP-4A Inner Cap**

• Weight : 0.003kg  
• Q'ty/Box : 1500pcs

Part No.	Colors	Marking	Material
GAP-4A-G	Gray	GAP-4A	Plastic
GAP-4A-B	Black		
GAP-4A-i	Ivory		

**GAP-4AT T Slot Inner Cap**

• Weight : 0.002kg  
• Q'ty/Box : 1500pcs

Part No.	Colors	Marking	Material
GAP-4AT-G	Gray	GAP-4AT	Plastic
GAP-4AT-B	Black		
GAP-4AT-i	Ivory		

**GAP-43A Inner Cap**

• Weight : 0.005kg  
• Q'ty/Box : 900EA

Unit : mm

**GAP-9C** Grip Bushing( Coating Pipe:  $\varnothing 28 \times T1.0$ )

- Weight : 0.016kg
- Q'ty/Box : 450pcs

**GAP-9S** Grip Bushing(STS Pipe:  $\varnothing 28 \times T0.7$ )

- Weight : 0.016kg
- Q'ty/Box : 450pcs

**RF-01** Rubber Foot

RF-01 : Normal (D/Gray)  
RF-01E : ESD (Black)

- Weight : 0.035kg
- Q'ty/Box : 250pcs

**RF-02** Rubber Foot

- Weight : 0.011kg
- Q'ty/Box : 450pcs

**GAP-52A** Roller Conveyor Cap (With Bearing)

- Weight : 0.013kg
- Q'ty/Box : 1500pcs

**GAP-50** Roller Conveyor Cap (Without Bearing)

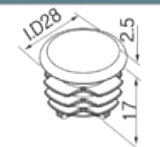

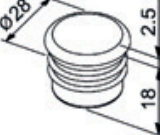
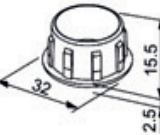
- Weight : 0.008kg
- Q'ty/Box : 1200pcs

GAM-07S METAL CAP		Part No	Pipe	Diameter	Remark
		GAM-07S	STS Pipe	$\varnothing 28 \times t 0.7$	WZ
<ul style="list-style-type: none"> <li>• Weight : 0.037kg</li> <li>• Q'ty/Box : 500pcs</li> </ul>					

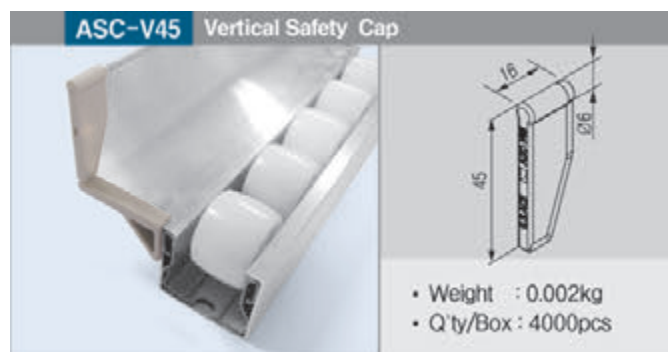
GAS-07S STEEL CAP		Part No	Pipe	Diameter	Remark
		GAS-07A	Coated Pipe	$\varnothing 28 \times t 0.7$	WZ
<ul style="list-style-type: none"> <li>• Weight : 0.009kg</li> <li>• Q'ty/BOX : 600pcs</li> </ul>		GAS-10A			WZ
		GAS-07S	STS/Eco Pipe	$\varnothing 28 \times t 0.7$	WZ
		GAS-12S			$\varnothing 28 \times t 1.2$

Unit : mm

### INNER CAP

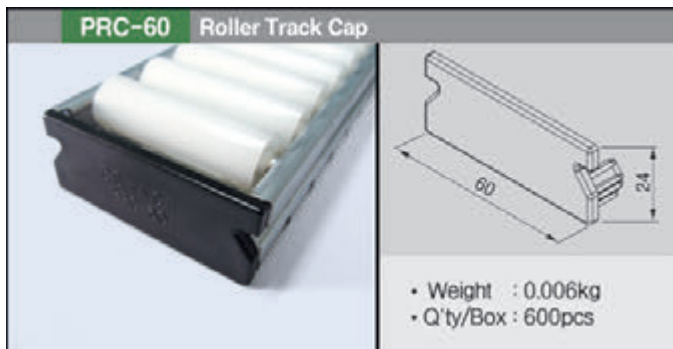
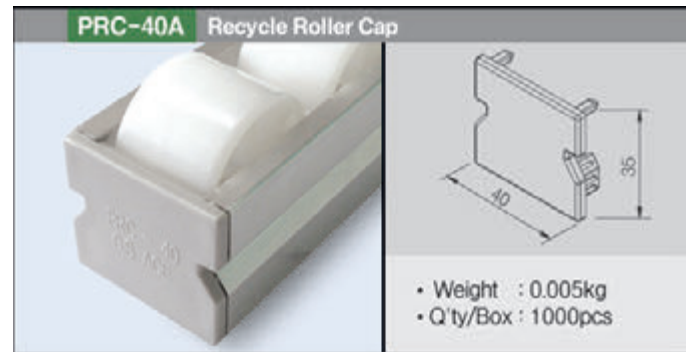
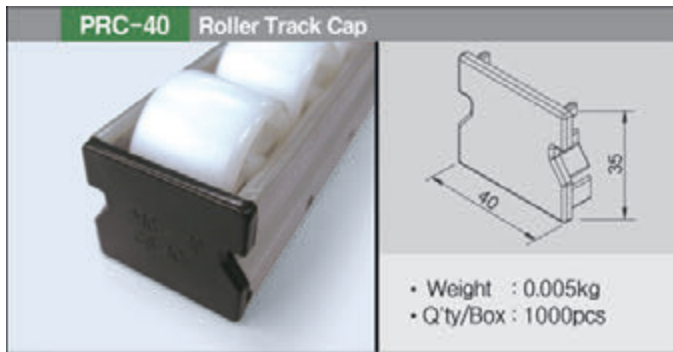
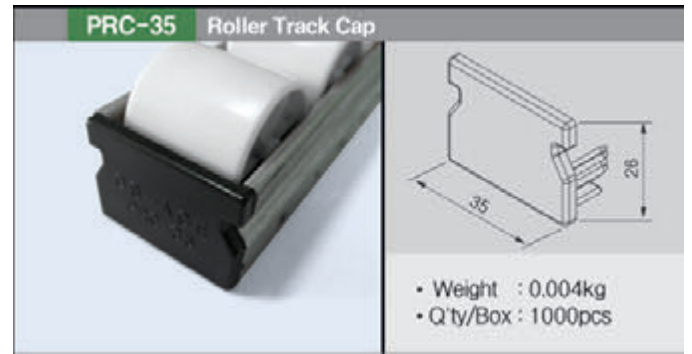
Classification	Part No	Colors	Marking	Material	Dimension		
Ø28	GAP-4P-i	Ivory	GAP-4P	Plastic			
	GAP-4P-B	Black					
	GAP-4P-G	Gray					
	All Thickness Pipe (Coated Pipe & STS Pipe)	GAP-4R-B	Black		GAP-4R		
			Ivory				
			Black				
	Coated Pipe	GAP-4C-i	Ivory		GAP-4C		
			GAP-4C-B				Black
			GAP-4C-G				Gray
	STS Pipe ECO Pipe	GAP-4S-i	Ivory		GAP-4S		
			GAP-4S-B				Black
			GAP-4S-G				Gray
Ø32	Coated Pipe	GAP-4310-i	Ivory	GAP-4310			
		GAP-4310-B	Black				
		GAP-4310-G	Gray				

### SAFETY CAP


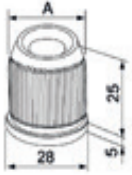
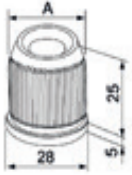
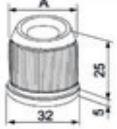

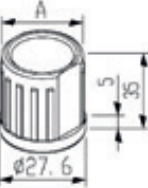

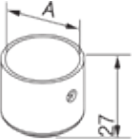




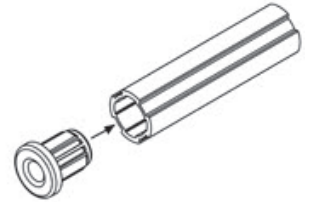
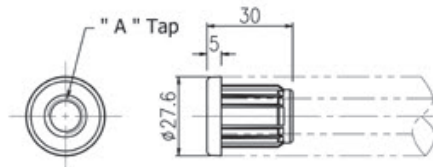
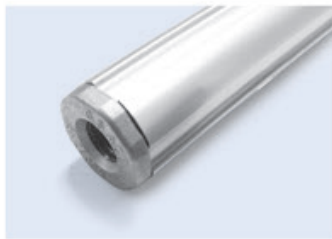
Unit : mm



## THREAD INSERTS

	Part No	Classification	Application	Colors	Threaded Spex	Matériel	A	Dimension
	BC2807D	Coated Pipe	Ø28 x t0.7	White	M10-P1.5	Steel	Ø24.1	
	BC2810A		Ø28 x t1.0	White	1/2" - P1.5	Steel	Ø23.5	
	BC2810B				M12 - P1.75			
	BC2810D				M10 - P1.5			
	BC2820A		Ø28 x t2.0	White	1/2" - 12N	Steel	Ø21.9	
	BC2820B				M12 - P1.75			
	BC2820D				M10 - P1.5			
	BS07A	STS Pipe	Ø28 x t0.7	White	1/2" - 12N	Steel	Ø26.8	
	BS07B				M12 - P1.75			
	BS07D				M10 - P1.5		Ø26.3	
	BS12A		Ø28 x t1.2	White	1/2" - 12N	Steel	Ø25.5	
	BS12B				M12 - P1.75			
	BS12D				M10 - P1.5		Ø25.3	
	BC3210A	Coated Pipe	Ø32 x t1.0	White	1/2" - 12N	Steel	Ø27.5	
BC3210B	M12 - P1.75							
	AS2807A	STS Pipe	Ø28 x t0.7	Gray	M12 - P1.75	Alumi-nium	Ø26.5	
	AS2801B				1/2" - 12N			
	AC2809A	Coated Pipe	Ø28 x t1.0		M12 - P1.75	Ø23.8		
	AC2809B				1/2" - 12N			
	OB28AN	All Pipe	Ø28	White	1/2" - 12N	Steel	Ø27.7	
	OB28BN				M12 - P1.75			

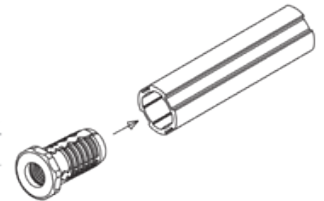
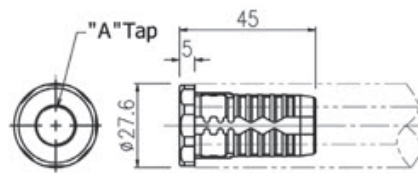
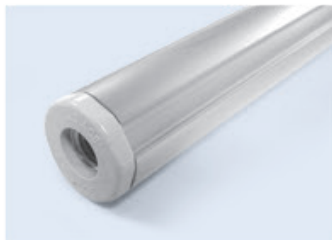
## BA2800A/B AL Thread Insert



- Weight : 0.017kg
- Q'ty/Box : 300pcs

Part No.	"A" Tap	Remark
BA2800A	1/2"-12N	
BA2800B	M12-p1.75	

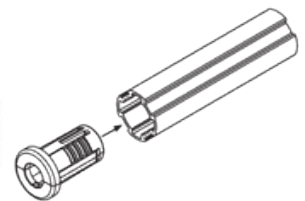
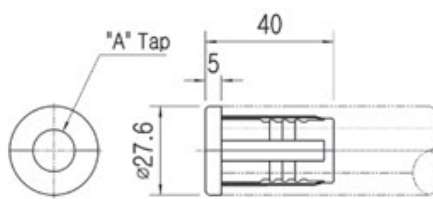
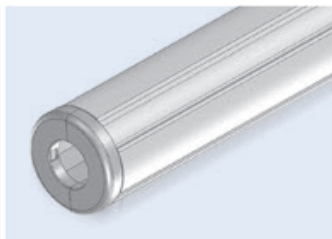
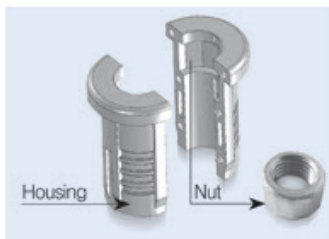
## BP2800A/B AL Plastic Thread Insert



- Weight : 0.011kg
- Q'ty/Box : 800pcs

Part No.	"A" Tap	Colors	Marking	Material
BP2800A	1/2"-12N	Ivory	BP2800A	Plastic+
BP2800B	M12-p1.75	Gray	BP2800B	SUS304

## BP2800H AL Plastic Thread Insert



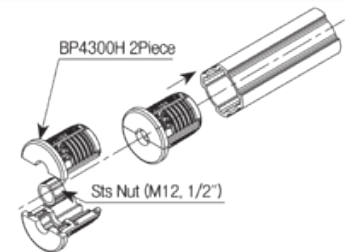
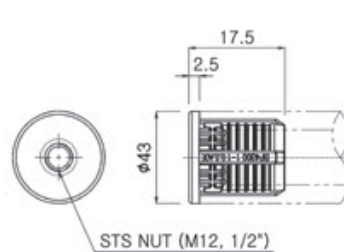
- Weight : 0.011kg
- Q'ty/Box : 800pcs

- Housing : 2pcs
- Nut : 1pcs

Part No.	Colors	Remark	※ Housing		※ Nut	
			"A" Tap	Part No.	"A" Tap	Part No.
BP2800	Gray		M12	N12-S12(SUS 304)	1/2"-12N	N1/2"-S12(SUS 304)

Special

## BP4300H AL Plastic Thread Insert



- Weight : 0.014kg
- Q'ty/Box : 800EA


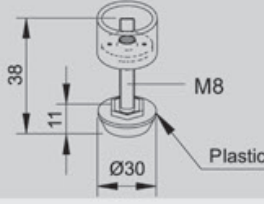
- BP4300H : 2pcs, Sts Nut : 1pcs



Unit : mm


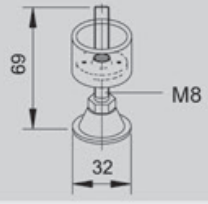
### SMALL TYPE

**AD30PA LEVELING FOOT**

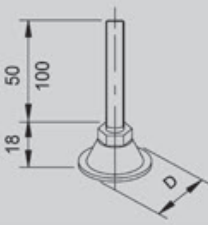

• Weight : 0.035kg  
• Q'ty/Box : 150pcs

**AD32WA LEVELING FOOT**






• Weight : 0.053kg  
• Q'ty/Box : 125pcs


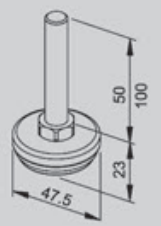

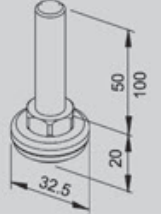
### NORMAL TYPE

Image		Part No	Base Diameter	Threaded Spec	Threaded Length	ESD	Type
	AD32WB	Ø32	1/2"-12N	50	○		
	AD32WC			100	○		
	AD50WA	Ø50	1/2"-12N	50	○		
	AD50WB			100	○		
	AD50WA-AC	Ø50	1/2"-12N	50	○		
	AD50WB-AC			100	○		

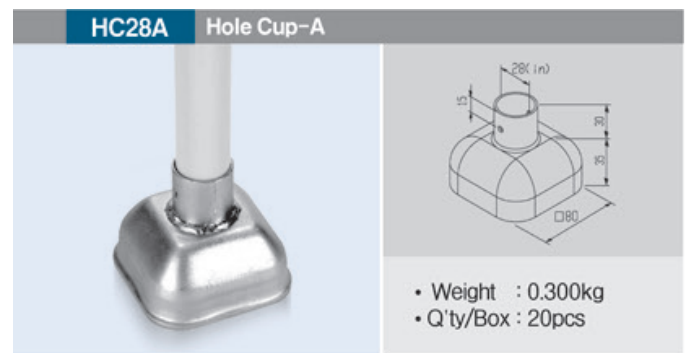
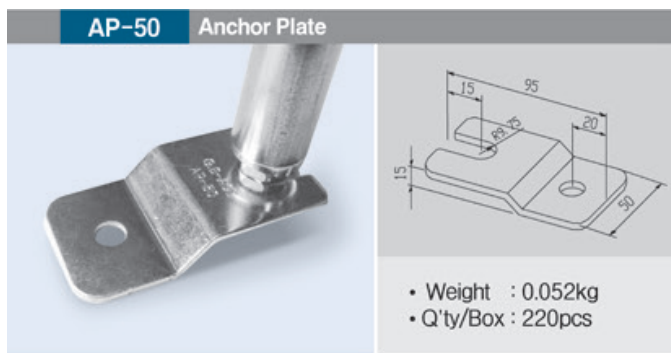
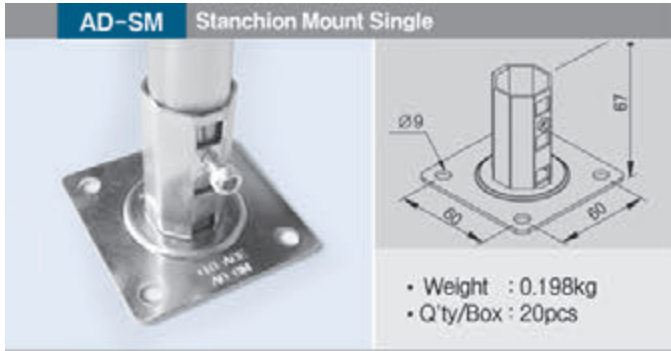
### STS TYPE

Image		Part No	Base Diameter	Threaded Spec	Threaded Length	ESD	Type
	AD35SA	Ø35	1/2"-12N	50	○		
	AD35SB			100	○		
	AD40SPA	Ø40	1/2" -12N (Rubber Type)	50	○		
	AD40SPB			100	○		

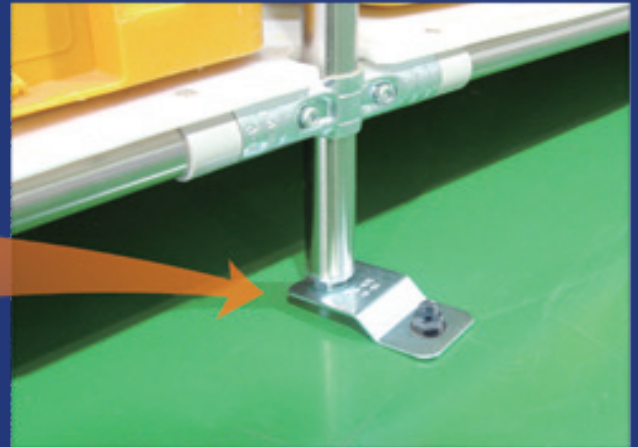
### RUBBER PAD-TYPE

Image		Part No	Base Diameter	Threaded Spec	Threaded Length	ESD	Type
	AD50RAN	Ø50	1/2"-12N	50	×		
	AD50RAN-E			50	○		
	AD50RBN			100	×		
	AD50RBN-E			100	○		
	AD32RA	Ø32	1/2"-12N	50	×		
	AD32RA-E			50	○		
	AD32RB			100	×		
	AD32RB-E			100	○		

Unit : mm

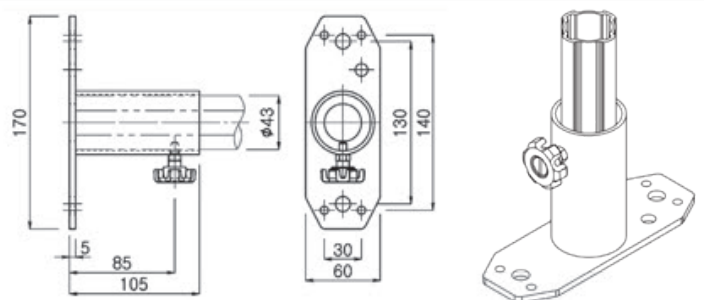


### Example for AP-50




- Weight : 0.680kg
- Q'ty/Box : 50EA

- AD-SM43A : 1pcs,
- HM0615 : 1pcs



Fastener Type	Part No	Item	Spec	Colors	Usage
	TN06W	T-Nut	M6	White	Metal Joint
	TN06B		M6	Black	
	SW10W	Spring Washer	M10	White	M10Bolt
	SW13W		M12		M12Bolt
	PW05W	Flat Washer	M5	White	M5Bolt
	PW10W		M10		M10Bolt

	NN06W	Nylon Nut	M6	White	M6Bolt
	NN08W		M8		M8Bolt
	NN10W		M10		M10Bolt
	NN12W		M12		M12Bolt


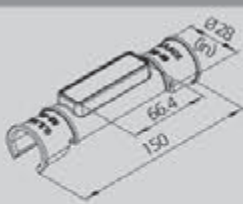
	N06W	Nut	M6	White	M6 Bolt
	N08W		M8		M8 Bolt
	Ni05W-12	inch Nut	1/2"-12N		inchBolt

Fastener Type	Part No	Item	Spec	Colors	Usage
	M0610W	M6x10	P 1.0	White	Metal Joint
	M0610B		P 1.0	Black	
	M0625W	M6x25	P 1.0	White	Metal Joint
	M0625B		P 1.0	Black	
	M0630W	M6x30	P 1.0	White	
	M0630B		P 1.0	Black	
	M0830W	M8x30	P1.25	White	AL Joint
	M0840W	M8x40	P1.25		
	M1020W	M10Bolt	L20	White	Caster
	M1225W	M12Bolt	L25		
	GM835W	M8Bolt	L35xP1.25	White	Caster
	GM840W		L40xP1.25		
	GM845W		L45xP1.25		Base Lock Metal
	GM850W		L50xP1.25		
	GM860W		L60xP1.25		
	GM870W		L70xP1.25		
	HM0620	KNOB Bolt	P1.0	Black	Metal Joint

Other screws : contact AT Sourcing


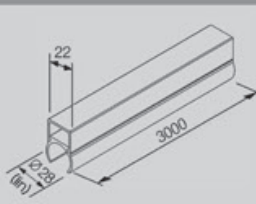


**RS - 2B Safety Reflector**

- Weight : 0.030kg
- Q'ty/Box : 150pcs

**CD - 28C/D Cable Duct**

- CD-28C Weight : 0.026kg/m
- CD-28D Weight : 0.022kg/m

**MJC - G1**



Matériau : PP  
Unit : EA


**MJC - G1 ASS'Y**



Weight : 12,5 g  
Size (mm) : 465 x 260 x 260 (H)  
Q'ty / Box : 150 EA  
Gross weight : 2 kg


*MJC - G1 ASS'Y  
Requires MJC-G1 2 EA*

**MJC - G2**



Matériau : PP  
Unit : EA

**MJC - G4 ASS'Y**



Weight : 12,4 g  
Size (mm) : 465 x 260 x 260 (H)  
Q'ty / Box : 100 EA  
Gross weight : 1,6 kg

*MJC - G2 ASS'Y  
Requires MJC-G2 4 EA*

**MJC - G3**



Matériau : PP  
Unit : EA

**MJC - G3 ASS'Y**



Weight : 20,1 g  
Size (mm) : 465 x 260 x 260 (H)  
Q'ty / Box : 100 EA  
Gross weight : 2,5kg

*MJC - G3 ASS'Y  
Requires MJC-G2 + MJC-G1*

**MJC - G4**



Matériau : PP  
Unit : EA

**MJC - G4 ASS'Y**

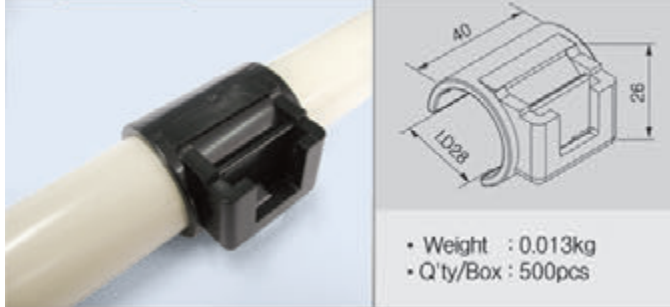


Weight : 19 g  
Size (mm) : 465 x 260 x 260 (H)  
Q'ty / Box : 100 EA  
Gross weight : 2,4kg

*MJC - G4 ASS'Y  
Requires MJC-G4 2 EA*

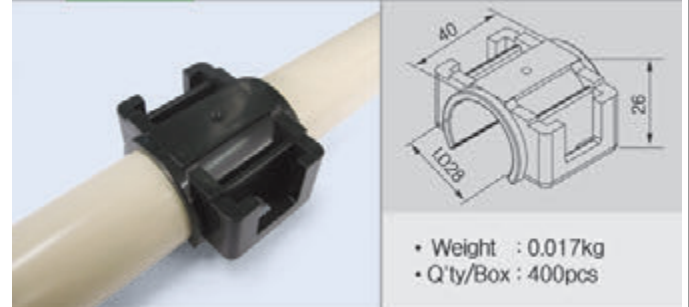
CONVOYER

**GAP-48** Roller Conveyor Holder (Single)



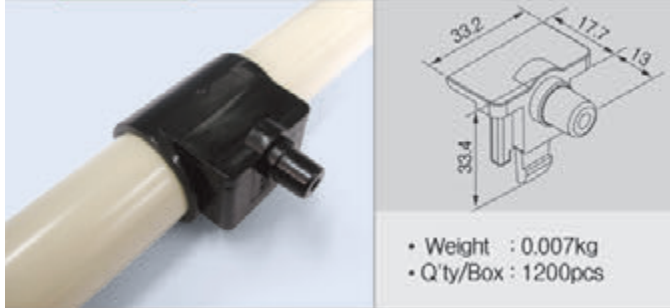
- Weight : 0.013kg
- Q'ty/Box : 500pcs

**GAP-49** Roller Conveyor Holder (Double)



- Weight : 0.017kg
- Q'ty/Box : 400pcs

**GAP-51** Roller Conveyor Support




- Weight : 0.007kg
- Q'ty/Box : 1200pcs




ACCESSORIES

**GAP-41** Plastic Joint




- Weight : 0.030kg
- Q'ty/Box : 150pcs

**GAP-42** Plastic Joint



- Weight : 0.045kg
- Q'ty/Box : 75pcs

**GAP-43** Plastic Joint

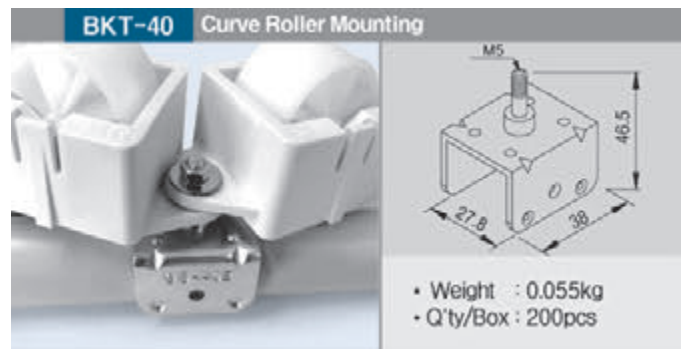
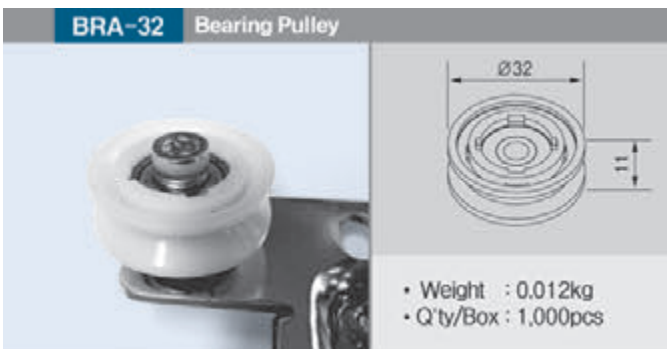
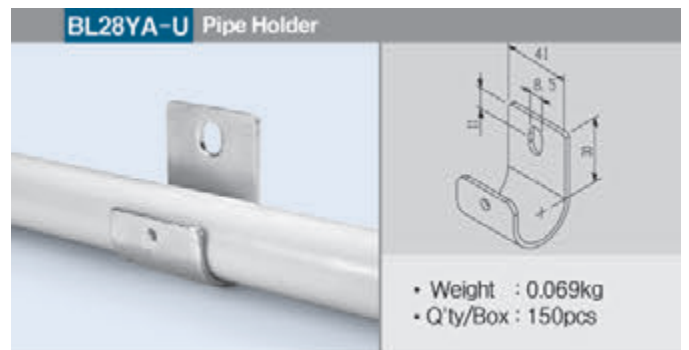
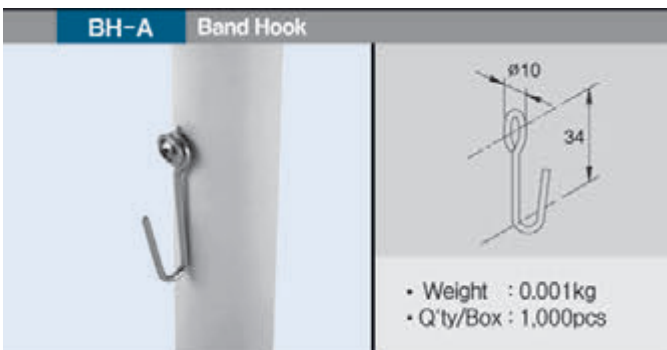
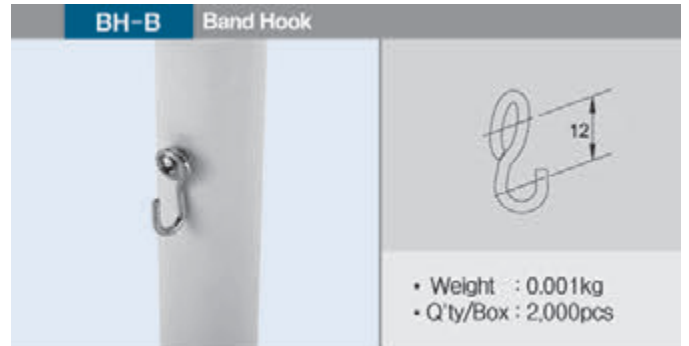
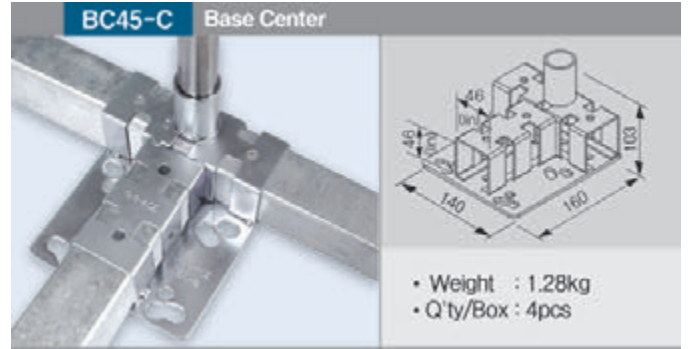
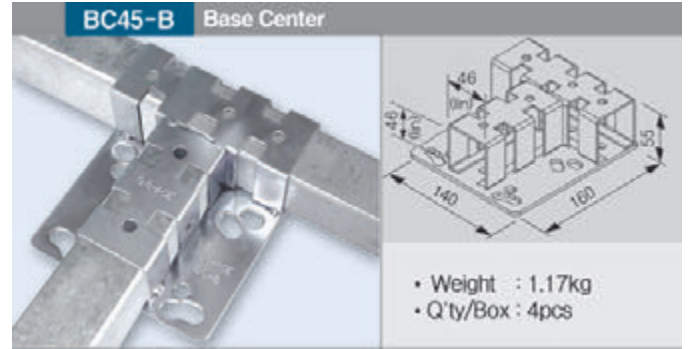
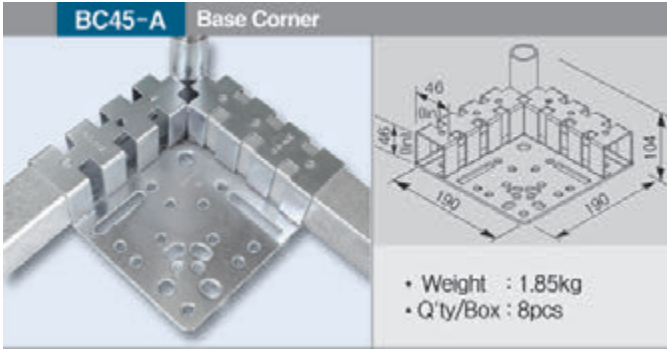


- Weight : 0.028kg
- Q'ty/Box : 150pcs





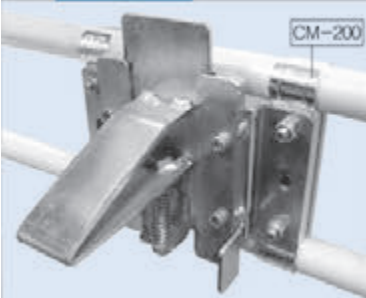
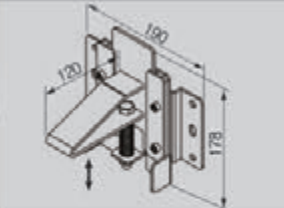
Unit : mm






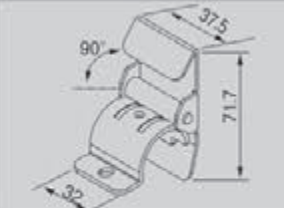
Unit : mm

**BS-01** Box-Stopper (Requires CM-200 : sold separately)



- Weight : 1.78kg
- Q'ty/Box : 8pcs

**BS-15** Back Stopper Bracket


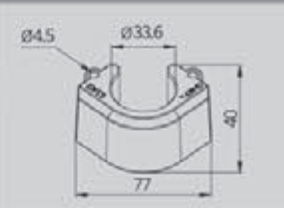
- Weight : 0.105kg
- Q'ty/Box : 60pcs

**BUSH-12** Sleeve Busing(Metal)


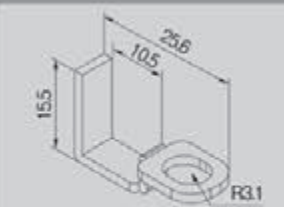
- Weight : 0.035kg
- Q'ty/Box : 180pcs

**CB-MCP** Corner Bumper


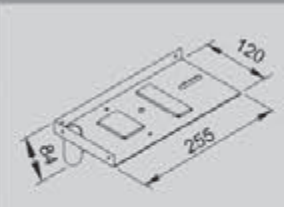
- Weight : 0.034kg
- Q'ty/Box : 150pcs

**CP-32** Cover Pulley


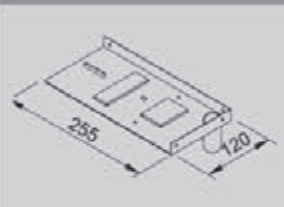
- Weight : 0.004kg
- Q'ty/Box : 3000pcs

**CS28L** Corner Support

- Weight : 0.682kg
- Q'ty/Box : 24pcs

**CS28R** Corner Support

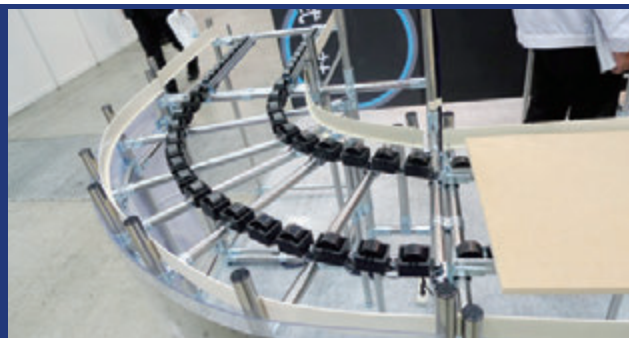



- Weight : 0.750kg
- Q'ty/Box : 24pcs

**DL-15** Door Latch

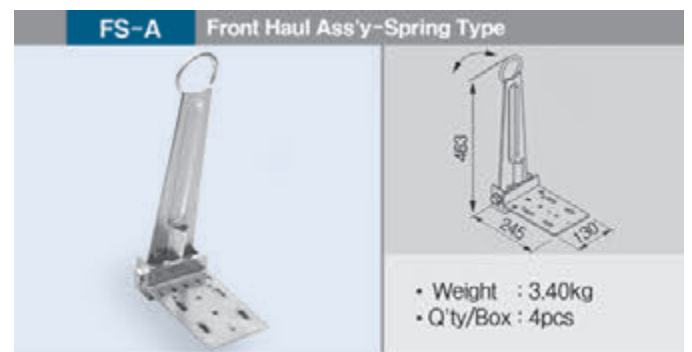
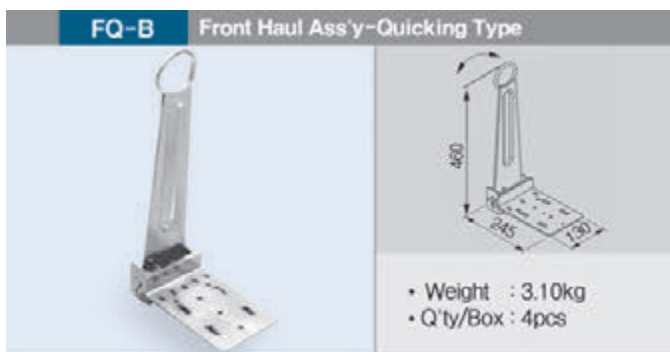
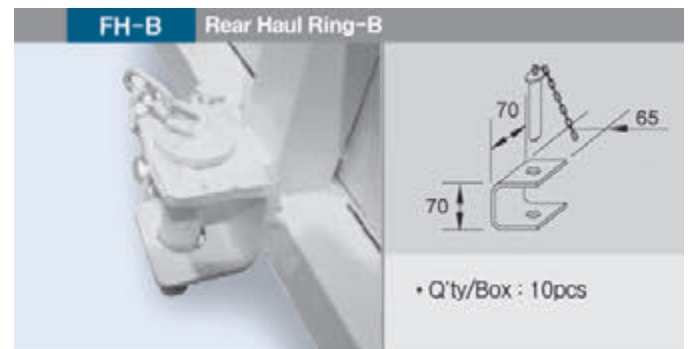
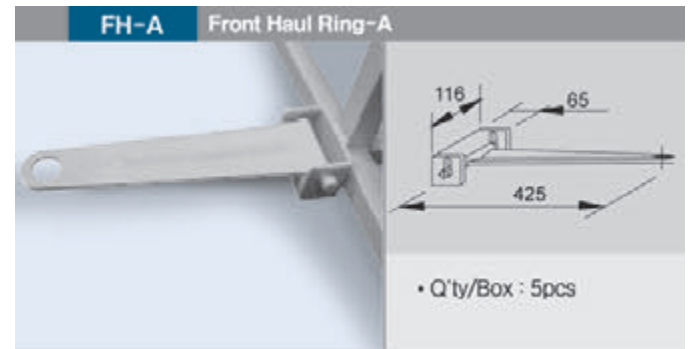
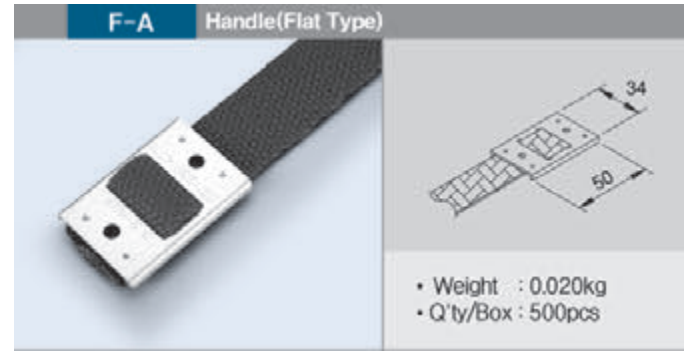
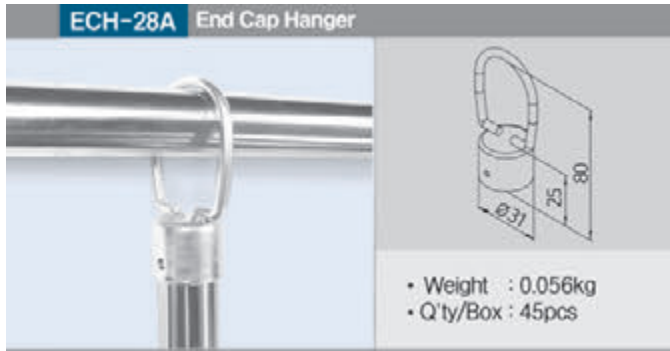



- Weight : 0.305kg
- Q'ty/Box : 40pcs



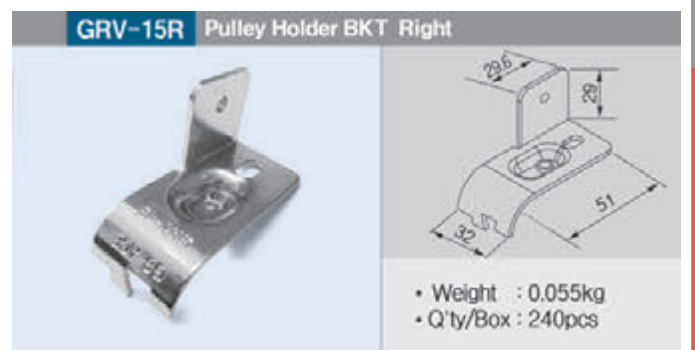
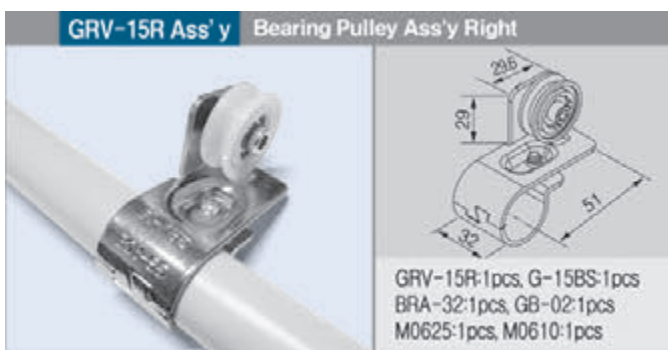
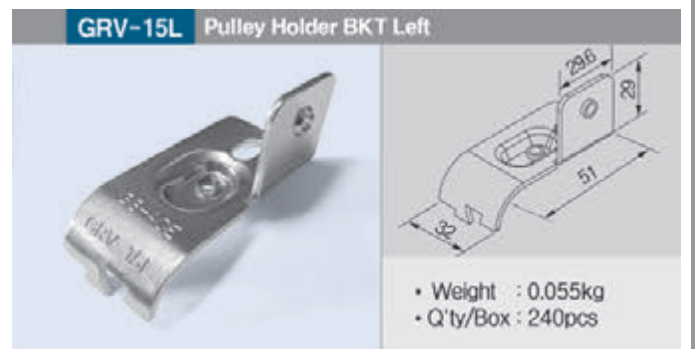
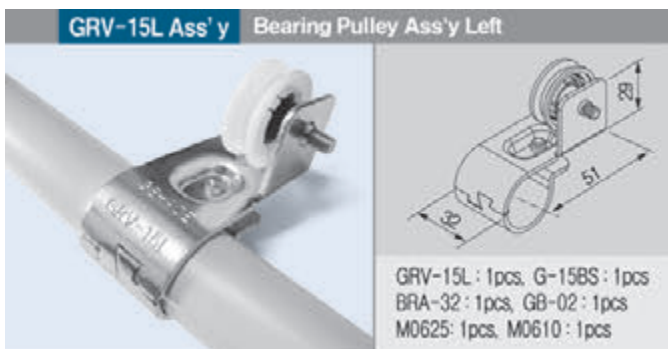
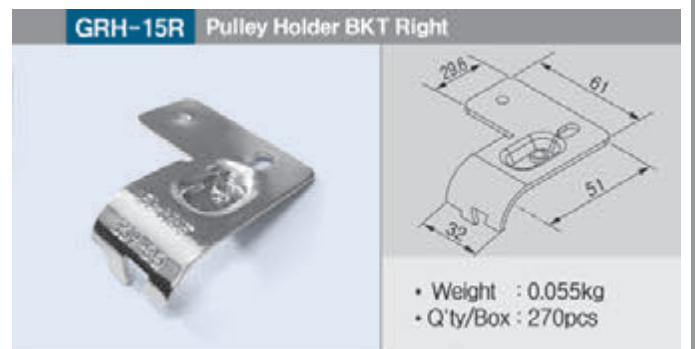
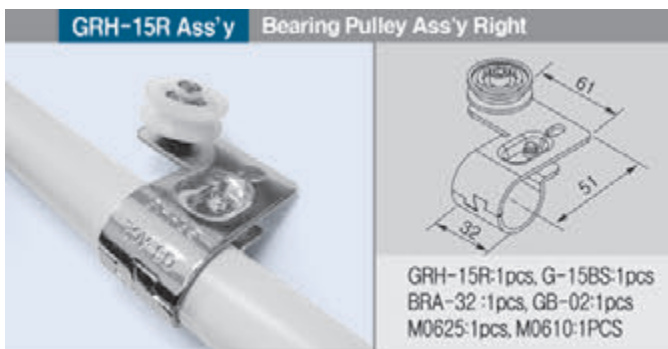
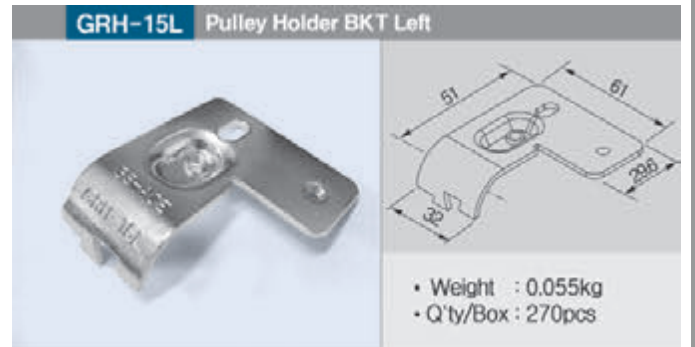
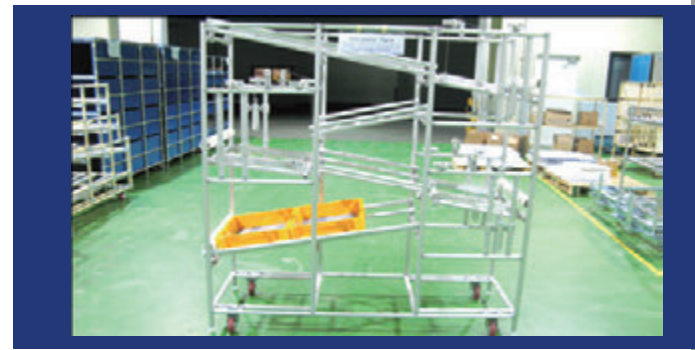
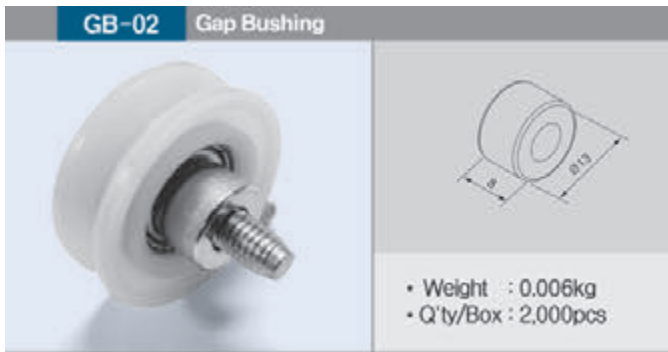
# OTHERS

Unit : mm






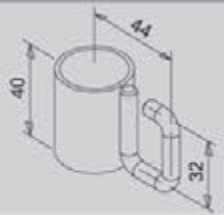
Unit : mm






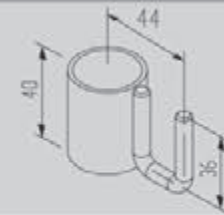
Unit : mm

**GS-1014A** Sleeve Hanger

- Weight : 0.130kg
- Q'ty/Box : 70pcs

**GS-1014B** Sleeve Hanger


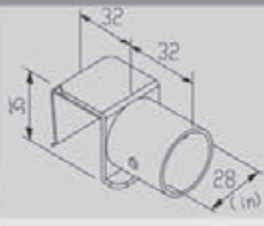
- Weight : 0.124kg
- Q'ty/Box : 70pcs

**GS-1014C** Sleeve Hanger






- Weight : 0.050kg
- Q'ty/Box : 200pcs

**GS-1250A** End Snap Rest

- Weight : 0.100kg
- Q'ty/Box : 90pcs

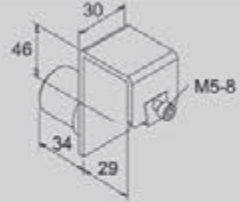
**GS-2070C** Pipe Plug

\* Reference page 52


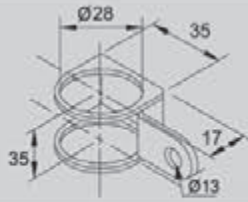
- Weight : 0.120kg
- Q'ty/Box : 100pcs

**GS-2070D** Slide Pipe Plug


- Weight : 0.200kg
- Q'ty/Box : 90pcs

**HG-D** Hinge Metal


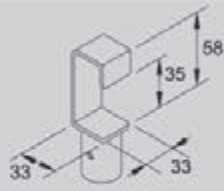
- Weight : 0.052kg
- Q'ty/Box : 100pcs

**HK28WA** Pipe Rest




- Weight : 0.094kg
- Q'ty/Box : 90pcs

**HK28WB** Pipe Rest

- Weight : 0.124kg
- Q'ty/Box : 70pcs


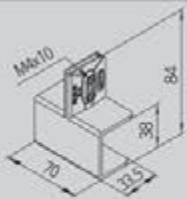
**HM28YA** Hanger Metal




- Weight : 0.049kg
- Q'ty/Box : 100pcs


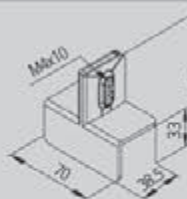
Unit : mm

**HP-30L** Holder Panel


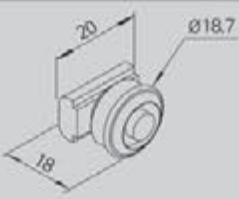
- Weight : 0.030kg
- Q'ty/Box : 240pcs

**HP-30R** Holder Panel



- Weight : 0.022kg
- Q'ty/Box : 400pcs

**LRA-19** Linear Roller

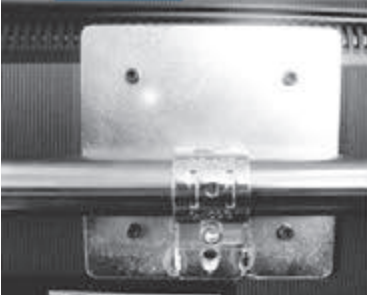
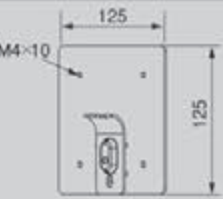
- Weight : 0.017kg
- Q'ty/Box : 300EA

**PHR-28** Hang Roller


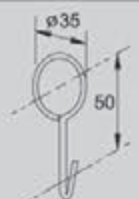
- Weight : 0.040kg
- Q'ty/Box : 100pcs

**MB-15** Monitor Bracket


- Weight : 0.350kg
- Q'ty/Box : 20pcs

**PH-A** Hanger

- Weight : 0.001kg
- Q'ty/Box : 500pcs

**PC-D** Pipe Lock Metal

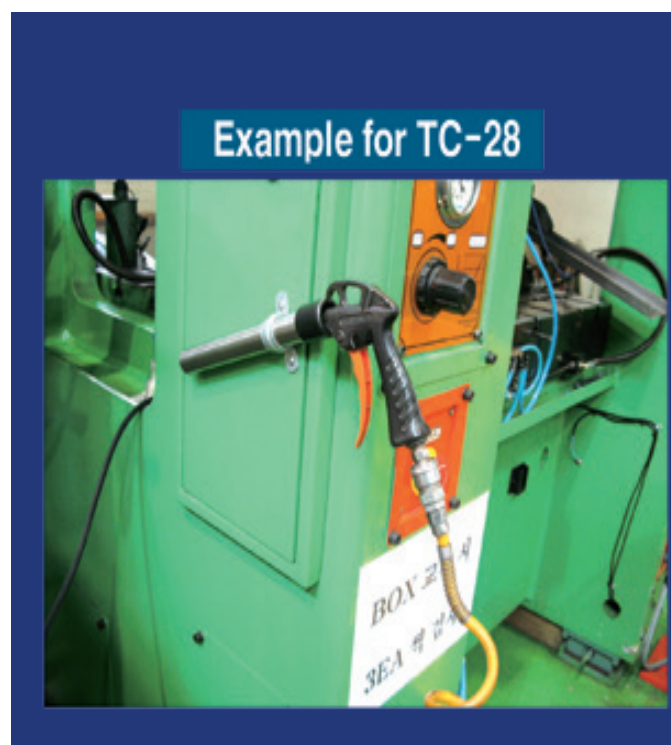
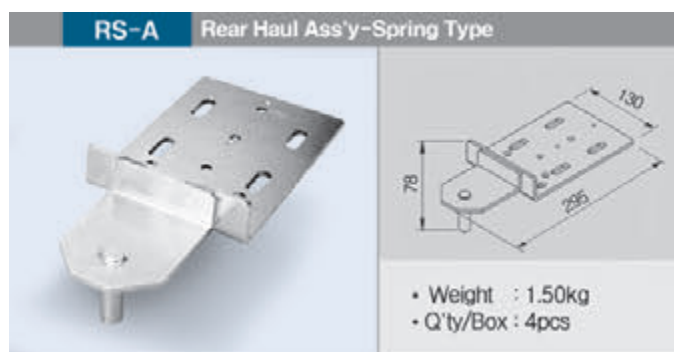
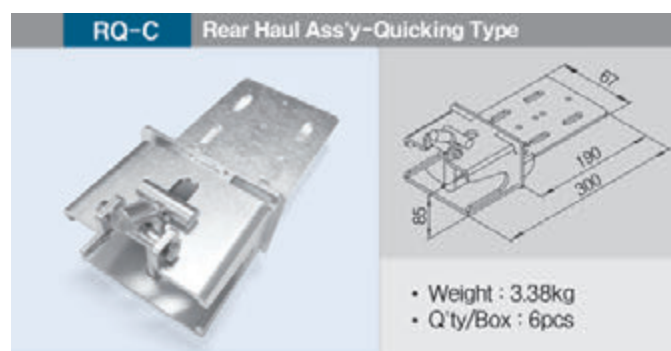
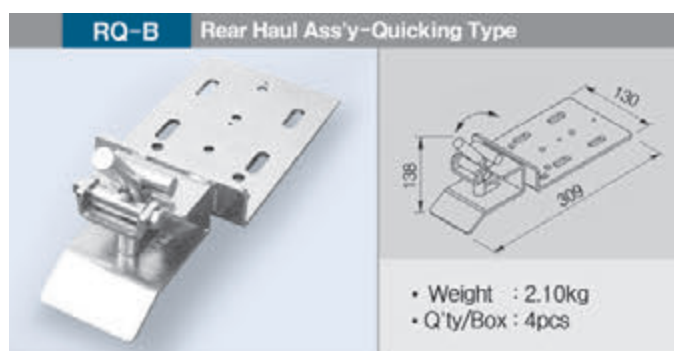
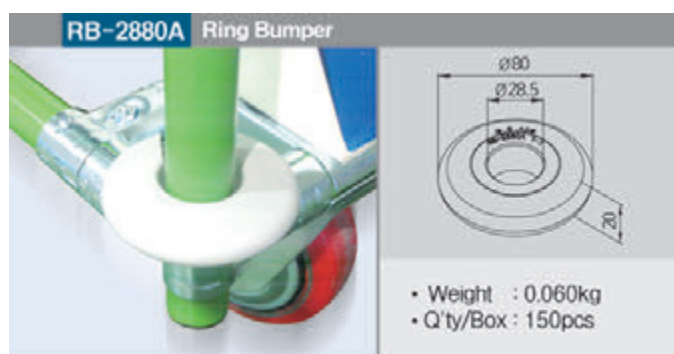
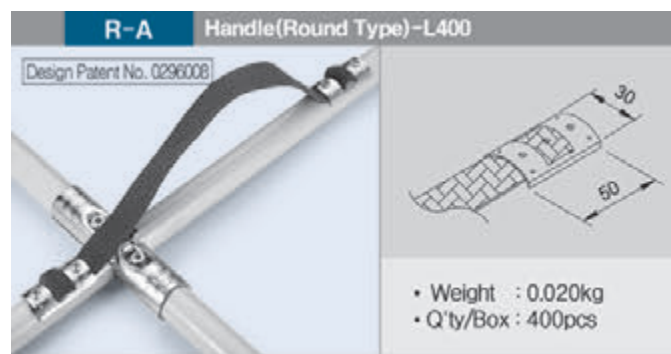
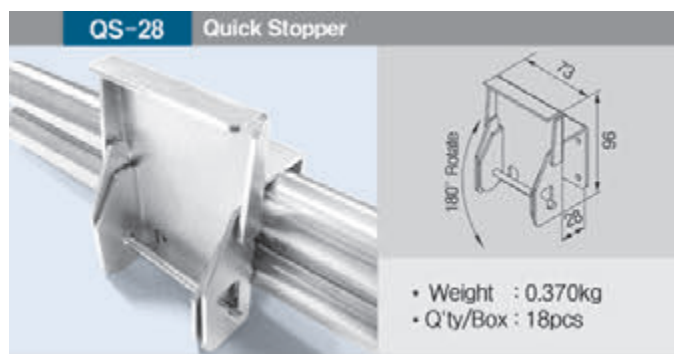
- Weight : 0.157kg
- Q'ty/Box : 50pcs

**EXEMPLE MB - 15**






Unit : mm





Unit : mm

**TH40PA** Tool Holder-Plastic

- Weight : 0.080kg
- Q'ty/Box : 50pcs

**TH50PA** Tool Holder-Plastic

- Weight : 0.074kg
- Q'ty/Box : 50pcs

**TH50YA** Tool Holder

- Weight : 0.108kg
- Q'ty/Box : 25pcs

**TH60PA** Tool Holder-Plastic

- Weight : 0.067kg
- Q'ty/Box : 50pcs

**TH60PB** Tool Holder-Plastic

- Weight : 0.070kg
- Q'ty/Box : 50pcs

**TH65YA** Tool Holder

- Weight : 0.197kg
- Q'ty/Box : 25pcs

## Example for Tool Holder





