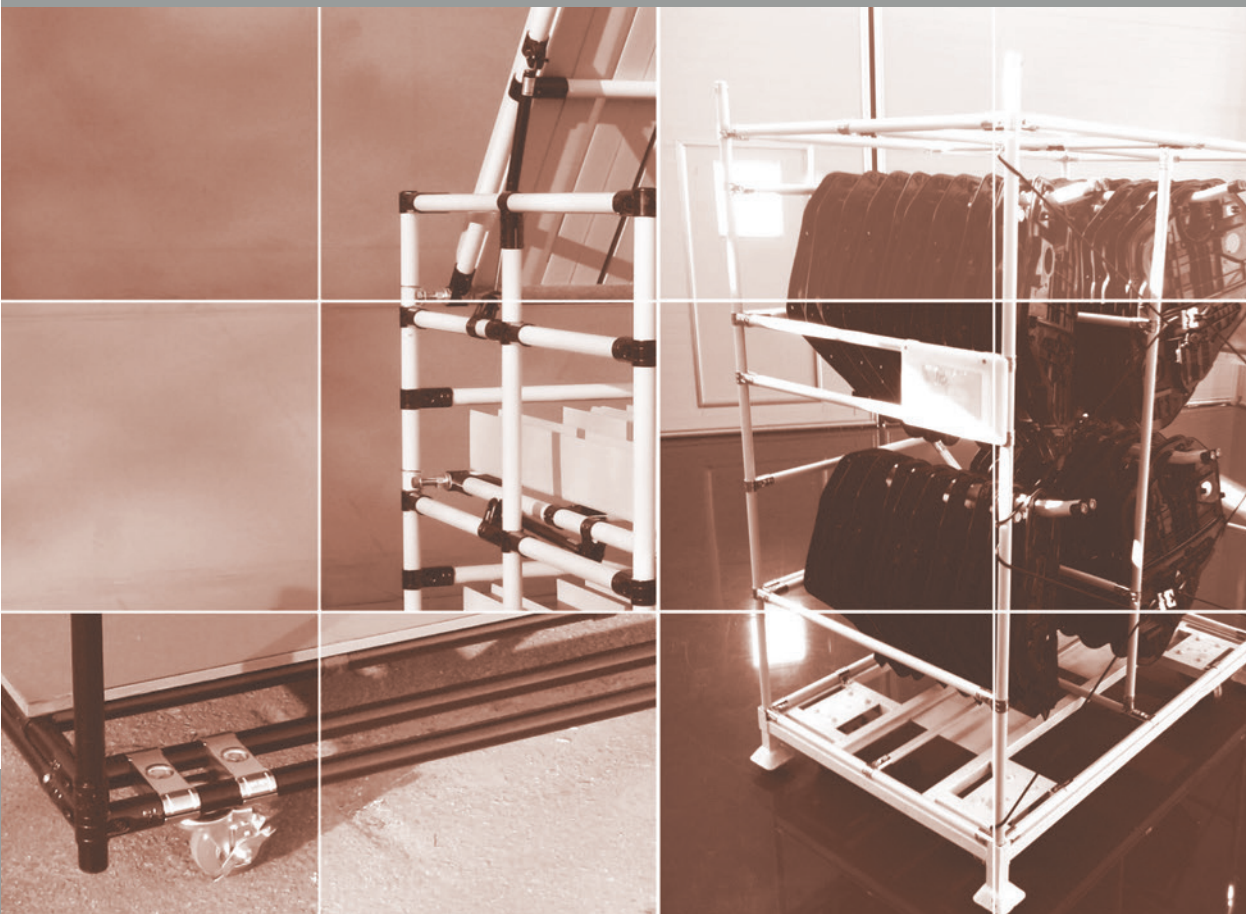


ACCESSORIES



PLASTIC COLORS

- Ivoire
- Gray
- Green
- Black (ESD)
- Dark gray

MENU

Plastic accessories

Accessories	76
Separators / Clamps	77

Aluminium accessories 78 - 84

Tiles holder

Metal holder	85
Plastic & Struts	86

Identification 87 - 88

Caps

pipe caps	89 - 91
safety caps	91
roller track caps	92

Inserts 93 - 94

Legs 95 - 96

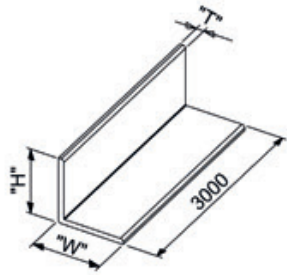
Screws 97

Security 98

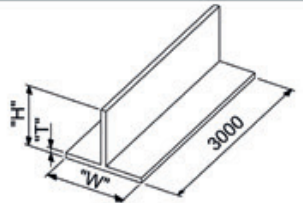
Others 99 - 107

Unit : mm

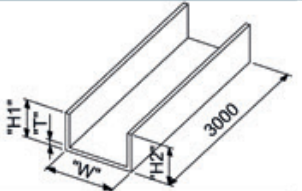
L-Type

Part No		Thickness	H	W	Configuration
Normal	ESD				
AL-1	EAL-1	3	30	50	
AL-2	EAL-2	4	30	60	
AL-9	EAL-9	4	30	75	
AL-5B	EAL-5B	4	50	50	
AL-6B	EAL-6B	4	50	75	
AL-8	EAL-8	4	50	100	
AL-7B	EAL-7B	4	50	150	
AL-4	EAL-4	4	80	90	
AL-5	EAL-5	5	50	50	
AL-6	EAL-6	5	50	75	
AL-7	EAL-7	5	50	150	

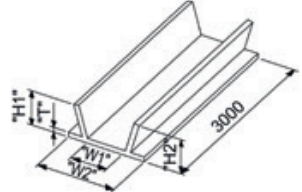
T-Type

Part No		Thickness	H	W	Configuration
Normal	ESD				
AT-1	EAT-1	4	50	100	
AT-2	EAT-2	4	100	60	
AT-3	EAT-3	4	150	60	

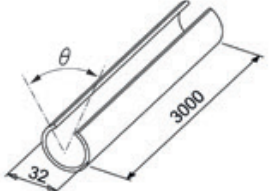
U-Type

Part No		Thickness	W1	W2	H1	H2	Configuration
Normal	ESD						
AU-1	EAU-1	3	36	-	36	36	
AU-2	EAU-2	3	60	-	30	40	

S-Type

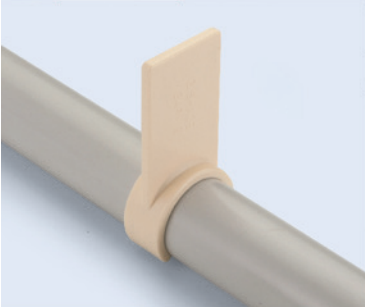
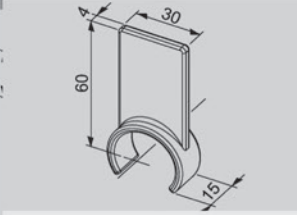
Part No		Thickness	W1	W2	H1	H2	Configuration
Normal	ESD						
AS-1	EAS-1	4	32	70	34	25	
AS-2	EAS-2	5	22	60	30	30	
AS-3	EAS-3	4	17	50	30	30	

Pipe-Cover

Part No		Thickness	θ	-	-	-	Configuration
Normal	ESD						
PC-01	EPC-01	2.5	75°	-	-	-	
PC-02	EPC-02	2.5	135°	-	-	-	


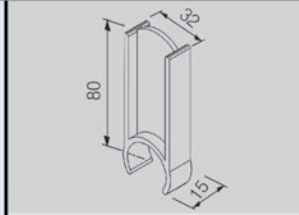
SEPARATEUR

GAP-19 Plastic Joint


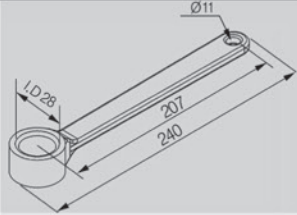
- Weight : 0.009kg
- Q'ty/Box : 750pcs

GAP-34 Plastic Joint


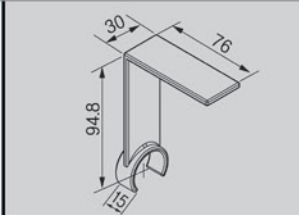
- Weight : 0.014kg
- Q'ty/Box : 500pcs

GAP-39 Plastic Joint


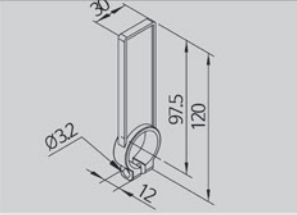
- Weight : 0.047kg
- Q'ty/Box : 160pcs

GAP-54 Plastic Joint

- Weight : 0.025kg
- Q'ty/Box : 150pcs

GAP-61 Plastic Joint

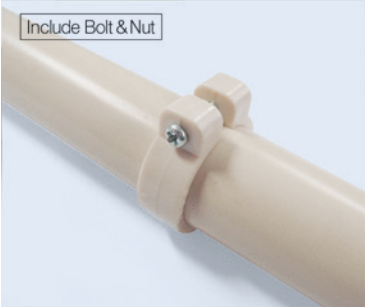
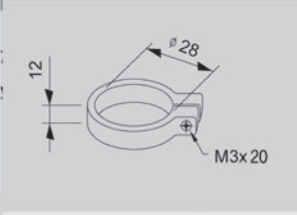
- Weight : 0.015kg
- Q'ty/Box : 500pcs



COLLIER

GAP-23 Plastic Joint

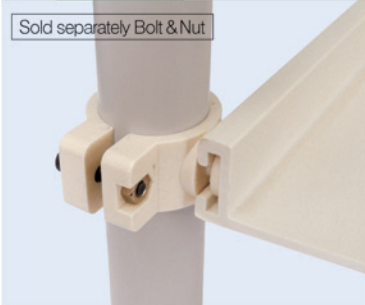
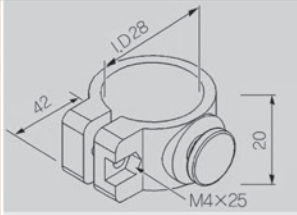
Include Bolt & Nut

- Weight : 0.020kg
- Q'ty/Box : 1500pcs

GAP-37A Plastic Joint

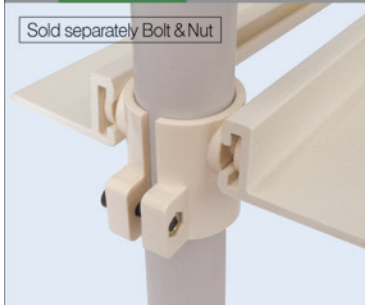
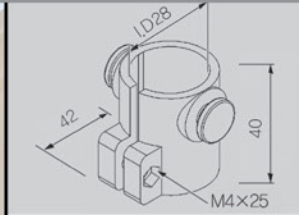
Sold separately Bolt & Nut

- Weight : 0.011kg
- Q'ty/Box : 600pcs

GAP-37B Plastic Joint

Sold separately Bolt & Nut

- Weight : 0.019kg
- Q'ty/Box : 300pcs

ALUMINIUM ACCESSORIES

Unit : mm

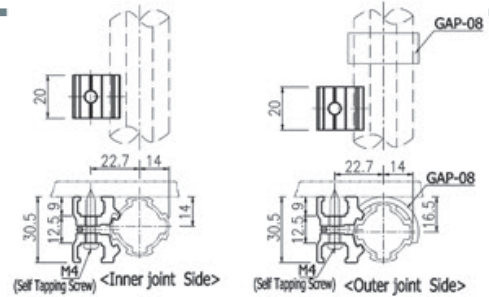
ABS-620

Board Support



- Weight : 0.020kg
- Q'ty/Box : 300pcs

- ABS-600SA Standard Length: 4MT



*Application Example: Reference page 89

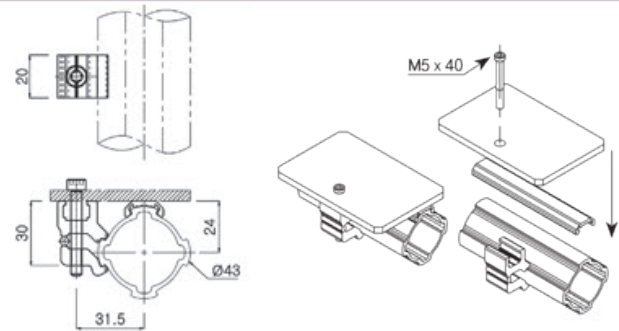
ABS-4320A

Board Support



- Weight : 0.020kg
- Q'ty/Box : 250EA

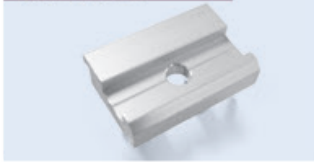
- ABS-4320A : 1pcs, APC-01 : 1pcs
- M0540 : 1pcs



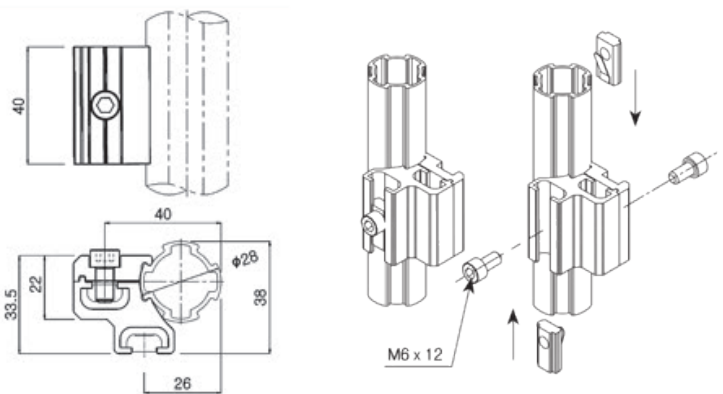
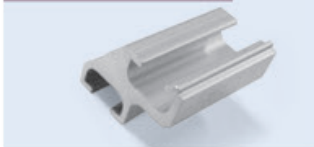
ACH-6040A

AL Component Holder

ACH-6040A-L



ACH-6040A-R



ACH-6040A-L

- Weight : 0.017kg
- Q'ty/Box : 400EA

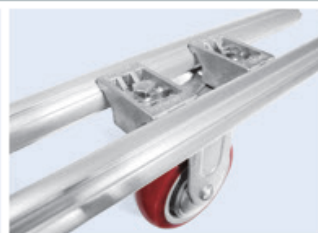
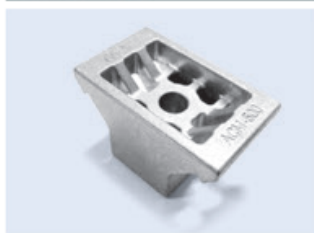
ACH-6040A-R

- Weight : 0.033kg
- Q'ty/Box : 150EA

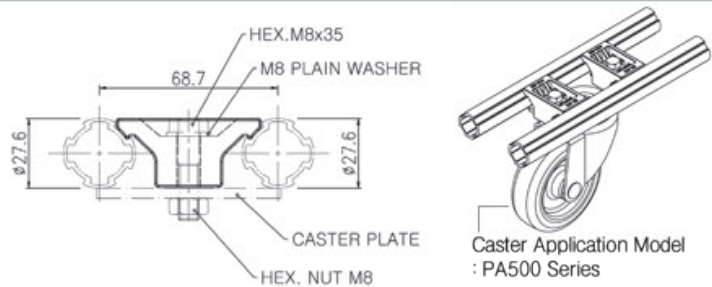
- ACH-6040A-R : 1pcs, ACH-6040A-L : 1pcs
- M0612 : 1pcs, SN406 : 1pcs

ACM-500

AL Caster Mount



- Weight : 0.054kg
- Q'ty/Box : 100pcs



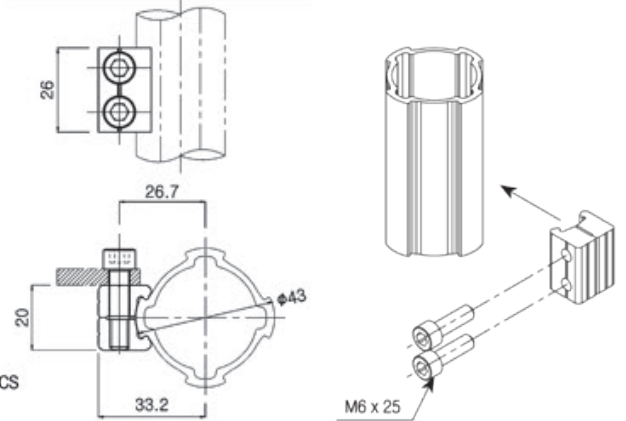
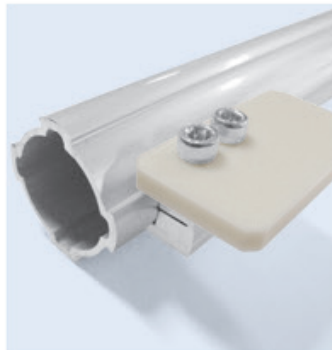
Unit : mm

ACP-H6026A Aluminum Connector Piece

ACP-H6026A-L



ACP-H6026A-R



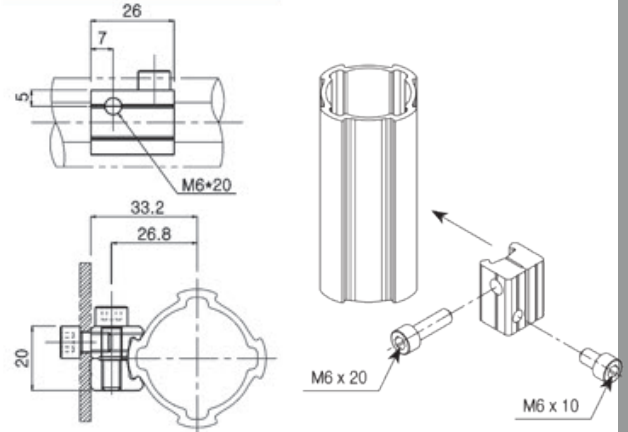
- Weight : 0.007kg
- Q'ty/Box : 800EA
- ACP-H6026A-R : 1pcs, ACP-H6026A-L : 1pcs
- M0625 : 2pcs

ACP-V6026A Aluminum Connector Piece

ACP-V6026A-L



ACP-V6026A-R



- Weight : 0.007kg
- Q'ty/Box : 800EA
- ACP-V6026A-R : 1pcs, ACP-V6026A-L : 1pcs
- M0620 : 1pcs, M0610 : 1pcs

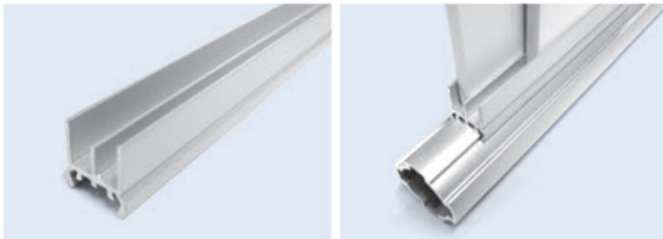


ALUMINIUM ACCESSORIES

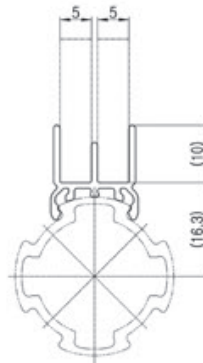
Unit : mm

ADR-05-SA

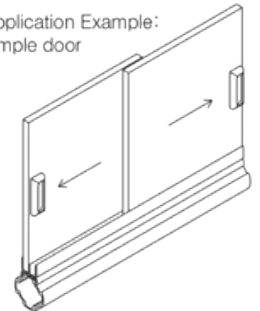
Door Rail



- Weight : 0.166kg/m
- Q'ty/Bundle : 20ea
- Standard Length: 4MT



* Application Example:
Simple door

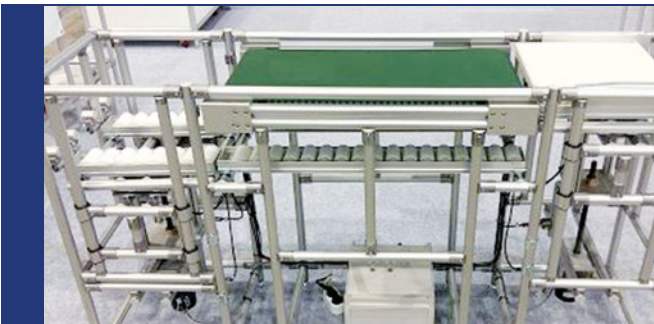
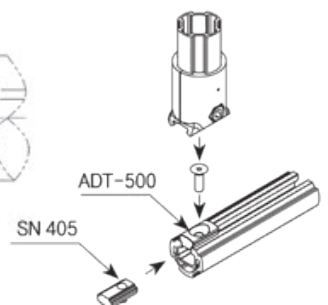
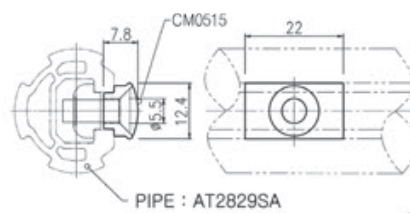


ADT-500

Slot Adapter



- Weight : 0.004kg
- Q'ty/Box : 1000pcs

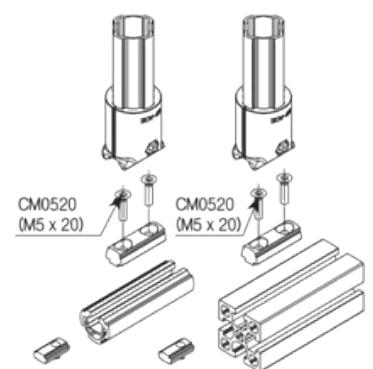
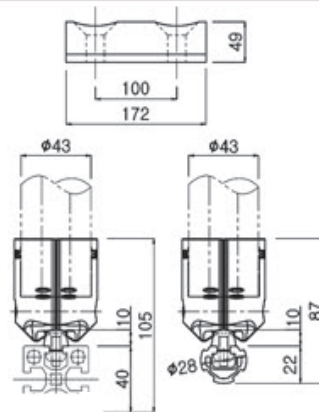


ADT-5043A

Slot Adapter

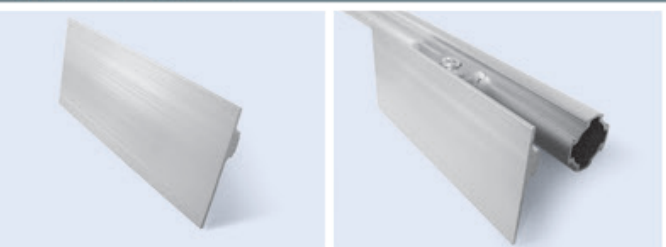


- Weight : 0.014kg
- Q'ty/Box : 600EA
- ADT-5043A : 1pcs
- CM0520 : 1pcs, SN405 : 1pcs

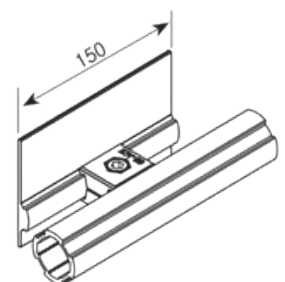
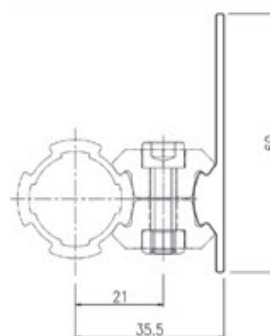


ANP-01-150

AL Name Plate

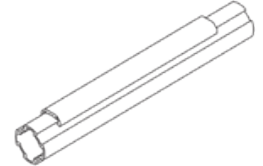
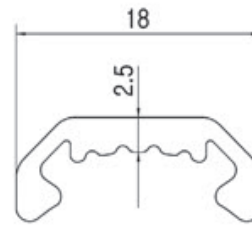
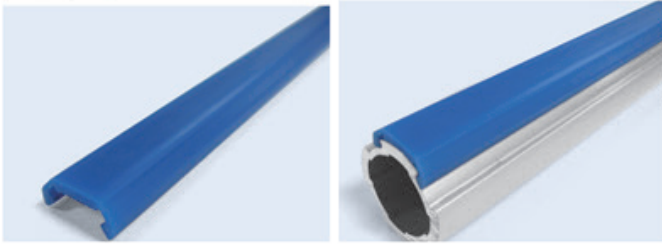


- Weight : 0.075kg
- Q'ty/Box : 150pcs
- Standard Length: 4MT :ANP-01SA



APC-01

Pipe Cover

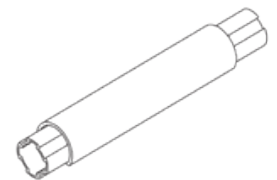
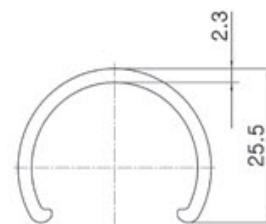
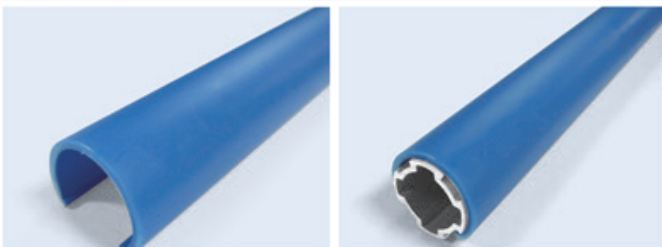


- Weight : 0.050kg
- Q'ty/Bundle : 50ea

- Standard Length: 3MT

APC-03

Pipe Cover

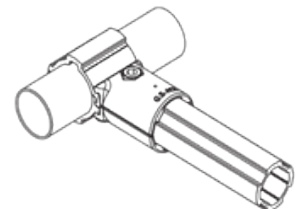
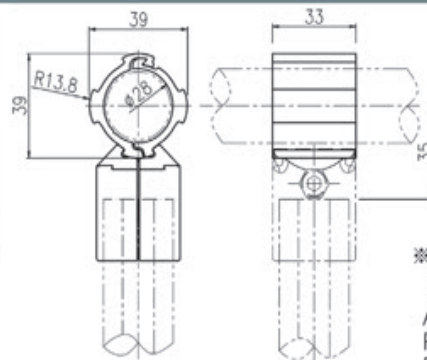
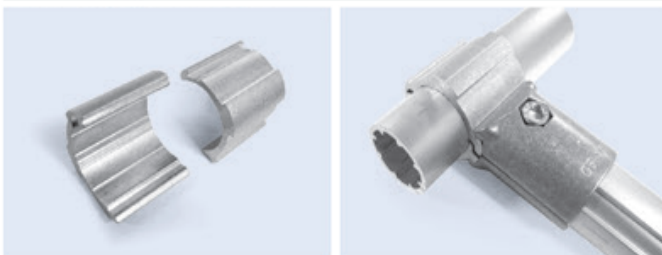


- Weight : 0.151kg
- Q'ty/Bundle : 20ea

- Standard Length: 3MT

APH-633L, APH-633R

Round Pipe Connect Joint



- Weight : 0.021kg/0.018kg
- Q'ty/Box : 200pcs

- APH-633L
- APH-633R

※Round Pipe (included Coated Pipe & Stainless Pipe)
Adaptor Joint between Round Pipe and Standard Aluminum Pipe (Profiled)

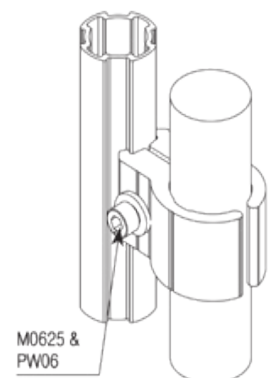
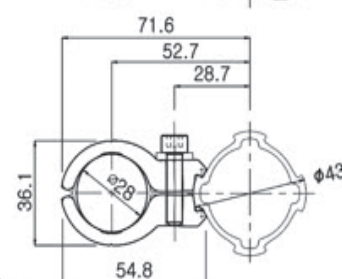
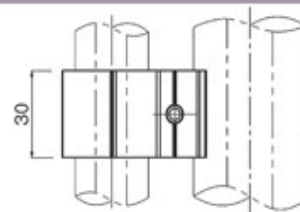
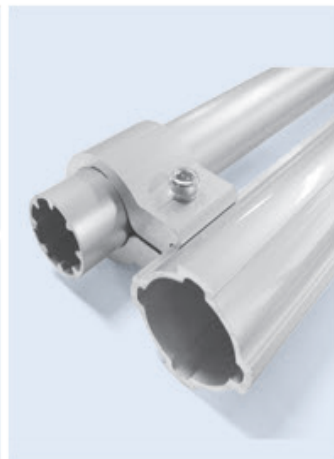
APH-3030A

Round Pipe Connected Joint

APH-3030A-L



APH-3030A-R



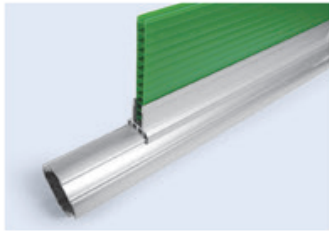
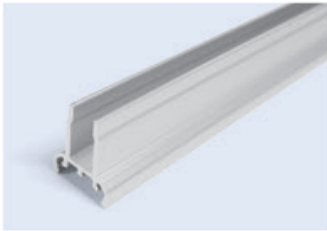
- Weight : 0.031kg
- Q'ty/Box : 200EA

- APH-3030A-R : 1pcs, APH-3030A-L : 1pcs
- M0625 : 1pcs, PW06 : 1pcs

Unit : mm

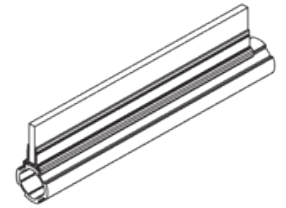
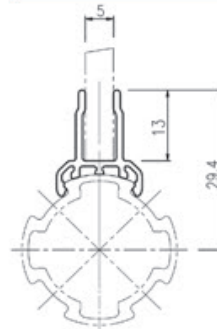
ASG-05SA

AL Sheet Guide



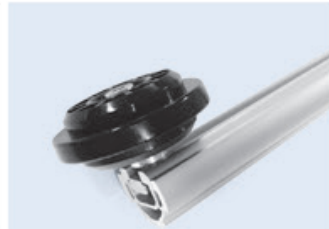
- Weight : 0.172kg/m
- Q'ty/Bundle : 30ea

- Standard Length: 4MT



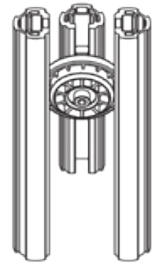
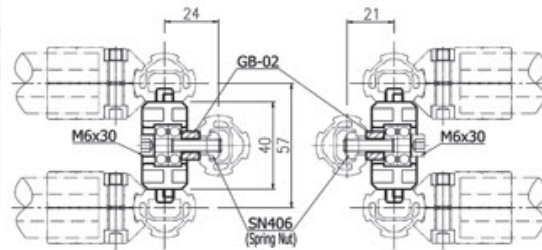
ASR-52

Slot Roller



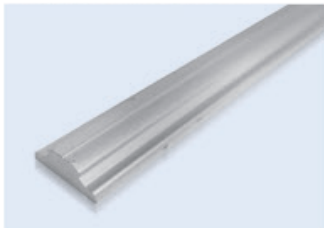
- Weight : 0.034kg
- Q'ty/Box : 450pcs

- ASR-52:1pcs, GB-02:1pcs
- M6x30:1pcs, SN406:1pcs



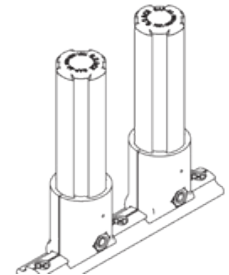
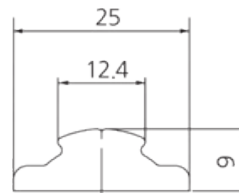
AWM-2500A SA

AL Wall Mount



- Weight : 0.408kg/m
- Q'ty/Bundle : 10ea

- Standard Length: 4MT

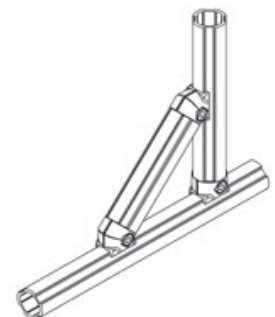
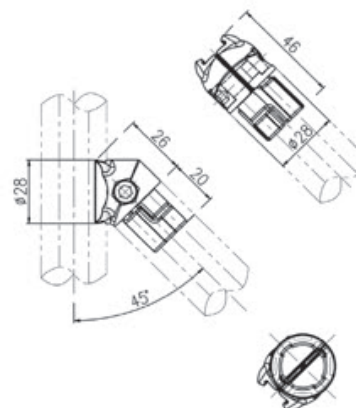


B-013L, B-013R 45° Joint



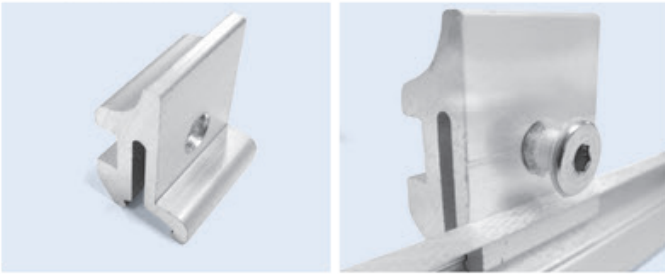
- Weight : 0.018kg
- Q'ty/Box : 300pcs

- B-013L: 1pcs, B-013R: 1pcs
- M0620/N06-55: 1set
- Weight : 0.043kg
- Q'ty/Box : 150set

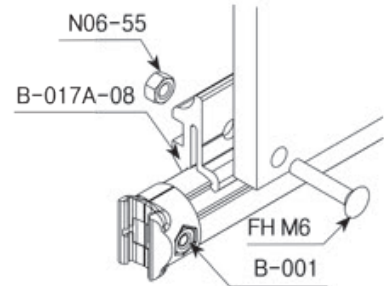
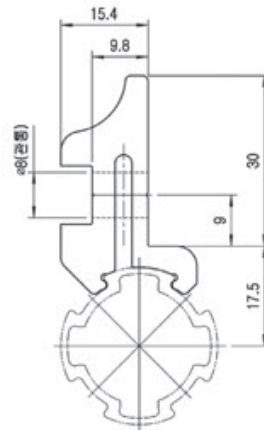


B-017A-08

Panel Joint



- Weight : 0.030kg
- Q'ty/Box : 200pcs



*Application Example: Reference page 89

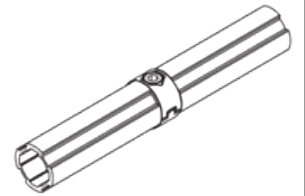
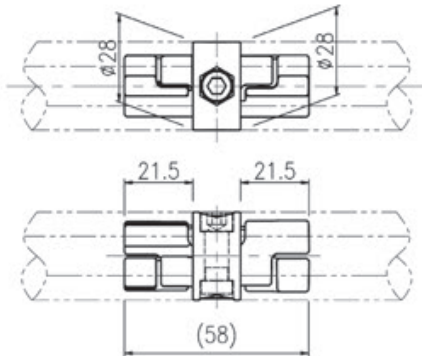
B-044

Straight Connector Joint



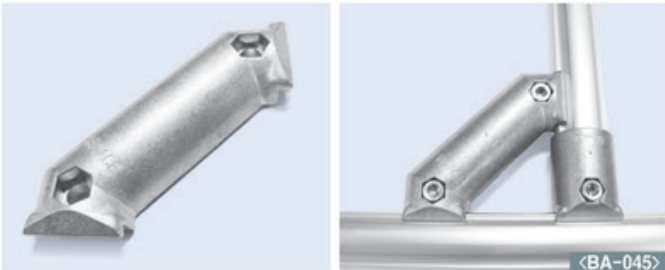
- Weight : 0.026kg
- Q'ty/Box : 200pcs

- B-044: 2pcs
- M0620/N06-55: 1set
- Weight : 0.058kg
- Q'ty/Box : 100set



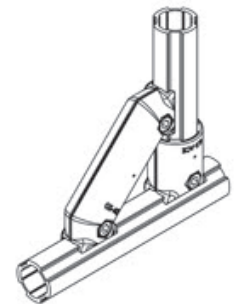
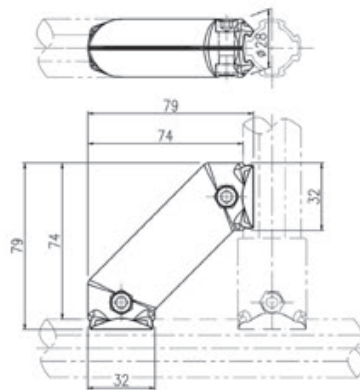
B-045

Corner Joint



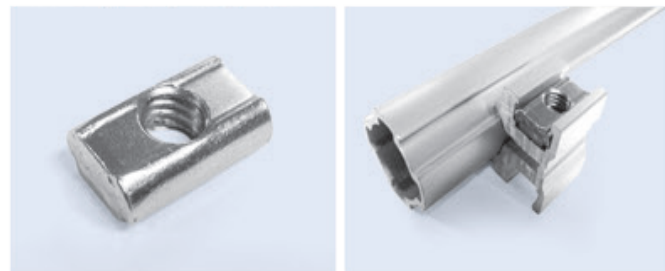
- Weight : 0.048kg
- Q'ty/Box : 100pcs

- B-045: 2pcs
- M0620/N06-55: 2set
- Weight : 0.114kg
- Q'ty/Box : 50set

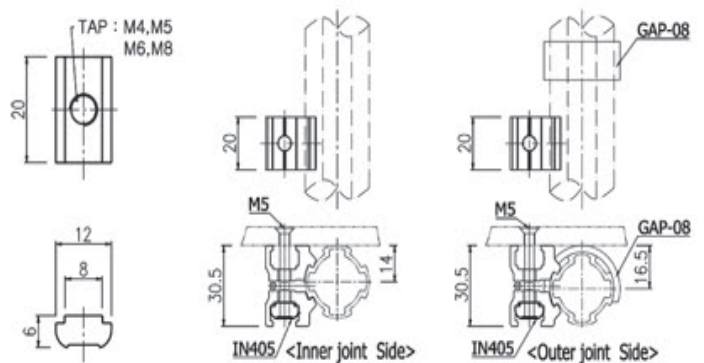


IN404/405/406/408

Insert Nut



- Weight : 0.008kg
- Q'ty/Box : 1000pcs

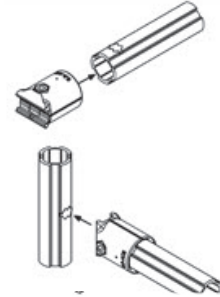
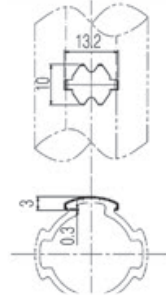
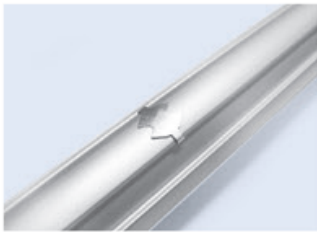


ALUMINIUM ACCESSORIES

Unit : mm

LP2800

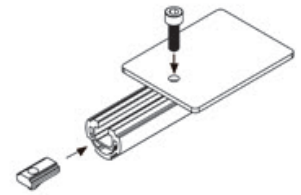
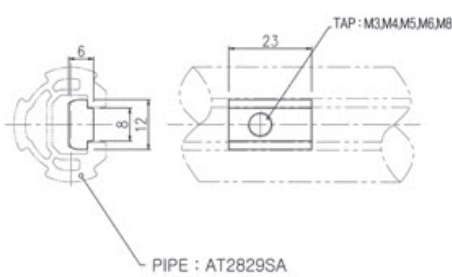
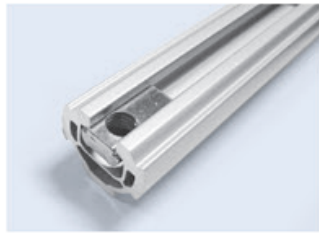
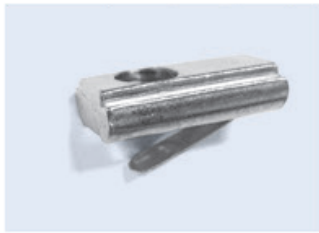
ELF Plate



- Weight : 0.0002kg
- Q'ty/Box : 10000pcs

SN403/404/405/406/408

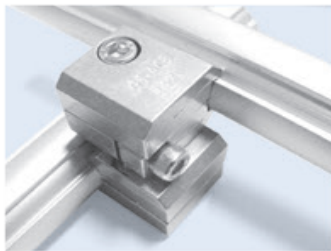
Spring Nut



- Weight : 0.009kg
- Q'ty/Box : 1000pcs

BA-206

Crossover Joint (Angle Adjustable)



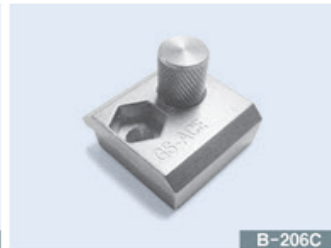
- B-206A: 1pcs, B-206B: 1pcs, B-206C: 1pcs, B-206D: 1pcs
- M0620/N06-55: 2set, M0625: 1pcs
- Weight : 0.117kg
- Q'ty/Box : 60set



B-206A



B-206B



B-206C



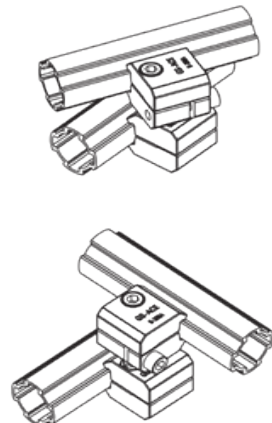
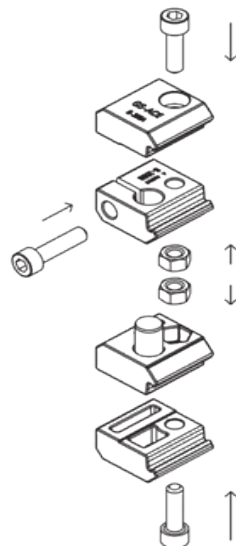
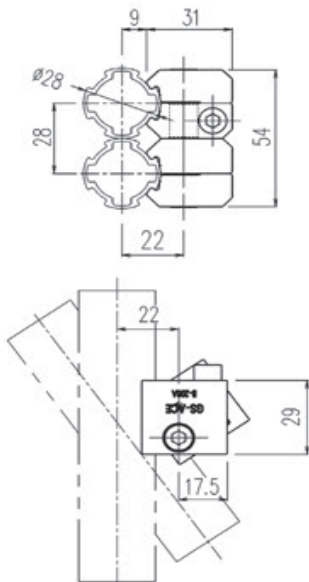
B-206D

- Weight : 0.020kg
- Q'ty/Box : 300pcs

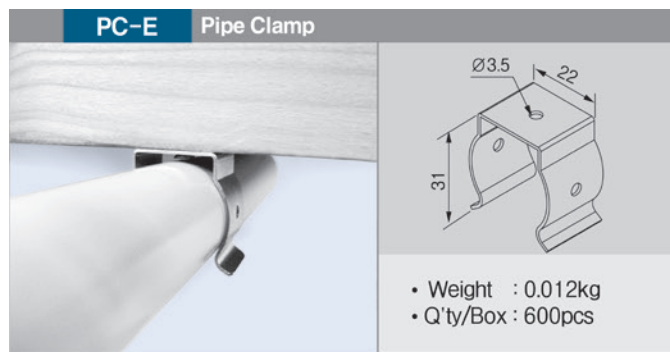
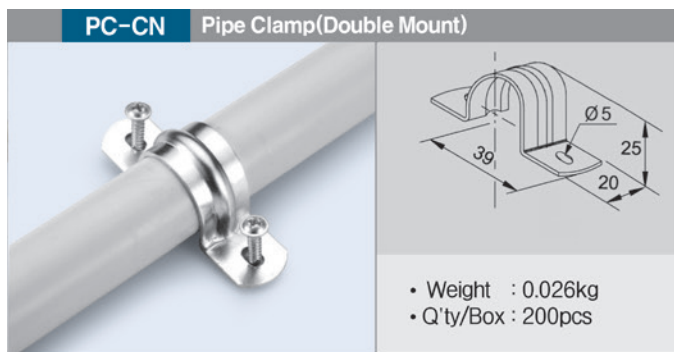
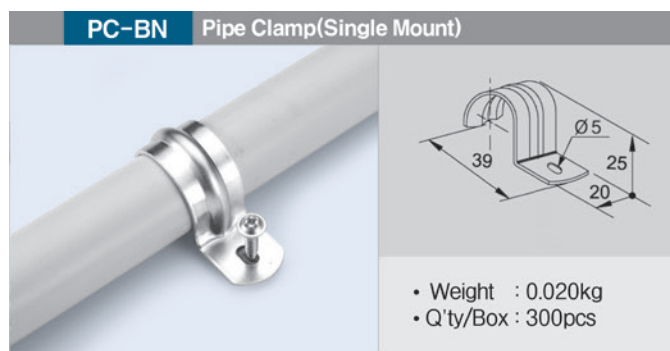
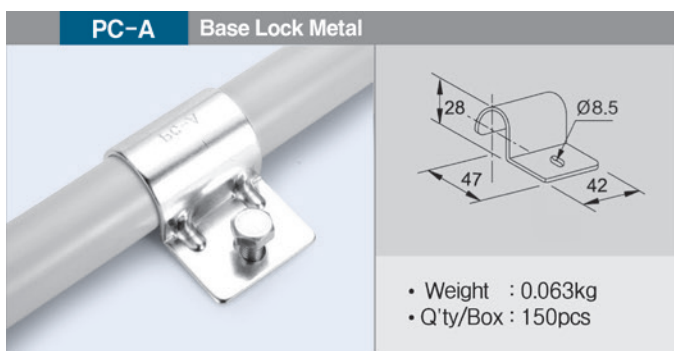
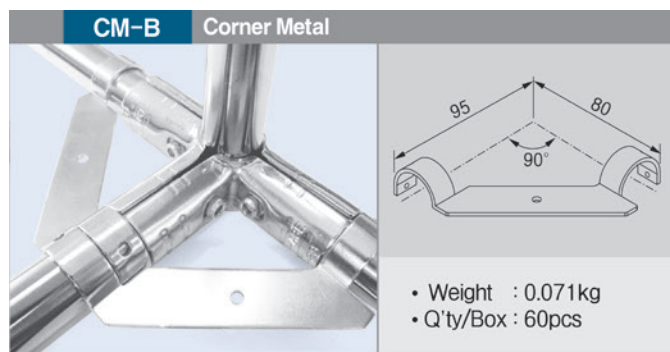
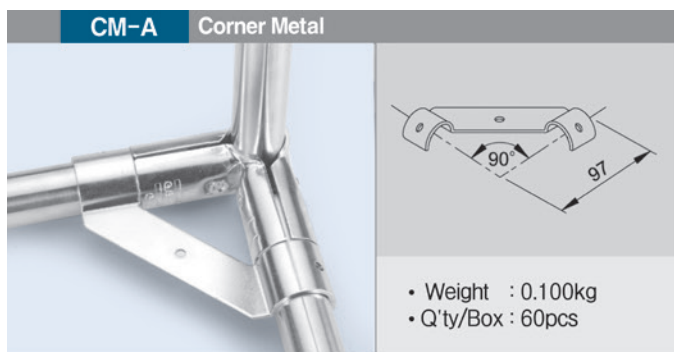
- Weight : 0.020kg
- Q'ty/Box : 300pcs

- Weight : 0.035kg
- Q'ty/Box : 200pcs

- Weight : 0.020kg
- Q'ty/Box : 300pcs




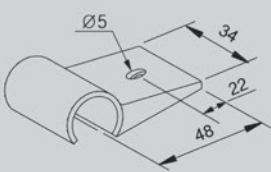
METAL HOLDER



TILES HOLDER PLASTIC & STRUT


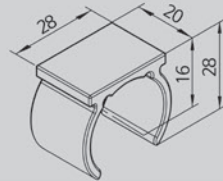
PLASTIC HOLDER

GAP-7 Plastic Joint


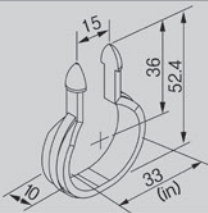
- Weight : 0.011kg
- Q'ty/Box : 450pcs

GAP-8FN Horizontal Holder


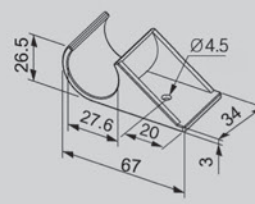
- Weight : 0.005kg
- Q'ty/Box : 1200pcs

GAP-15 Sheet Holder

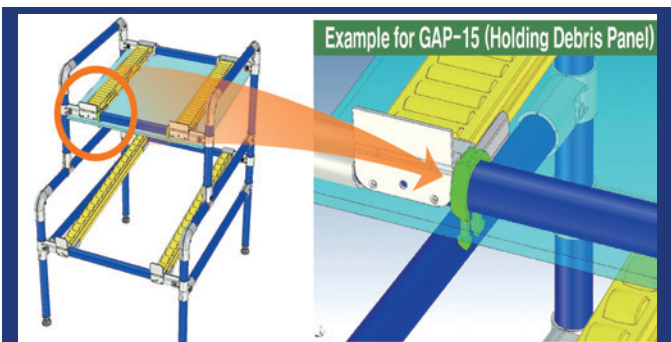



- Weight : 0.003kg
- Q'ty/Box : 1500pcs


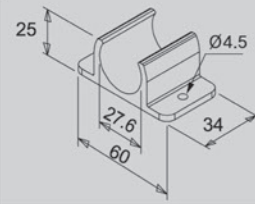
GAP-17 Plastic Joint

- Weight : 0.014kg
- Q'ty/Box : 400pcs



GAP-46 Plastic Joint


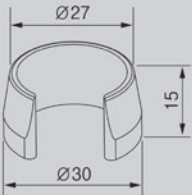



- Weight : 0.013kg
- Q'ty/Box : 450pcs




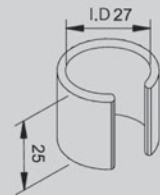
STRUT

GAP-11 Taper Edge

- Weight : 0.002kg
- Q'ty/Box : 2500pcs

GAP-8 Horizontal Holder

- Weight : 0.005kg
- Q'ty/Box : 1200pcs